



# DIRECT DRAW DISPENSER

PRO-LINE™ E-SERIES™ 69" - 3 KEG

- Designed by beer-industry experts for performance and value
- Front breathing for cooling and exhaust
- Integrated glass rinser: condition the glass before pouring
- Full-size drain tray – larger work area and improved hygiene



**MDD68-E**  
Black



> Integrated water glass rinser



**MDD68S-E**  
Stainless Steel



*Adjustable Digital Thermostat!  
Easy to read exterior mounted*



Listed by Edison Testing Laboratories.  
Conforms to UL & NSF Standards.



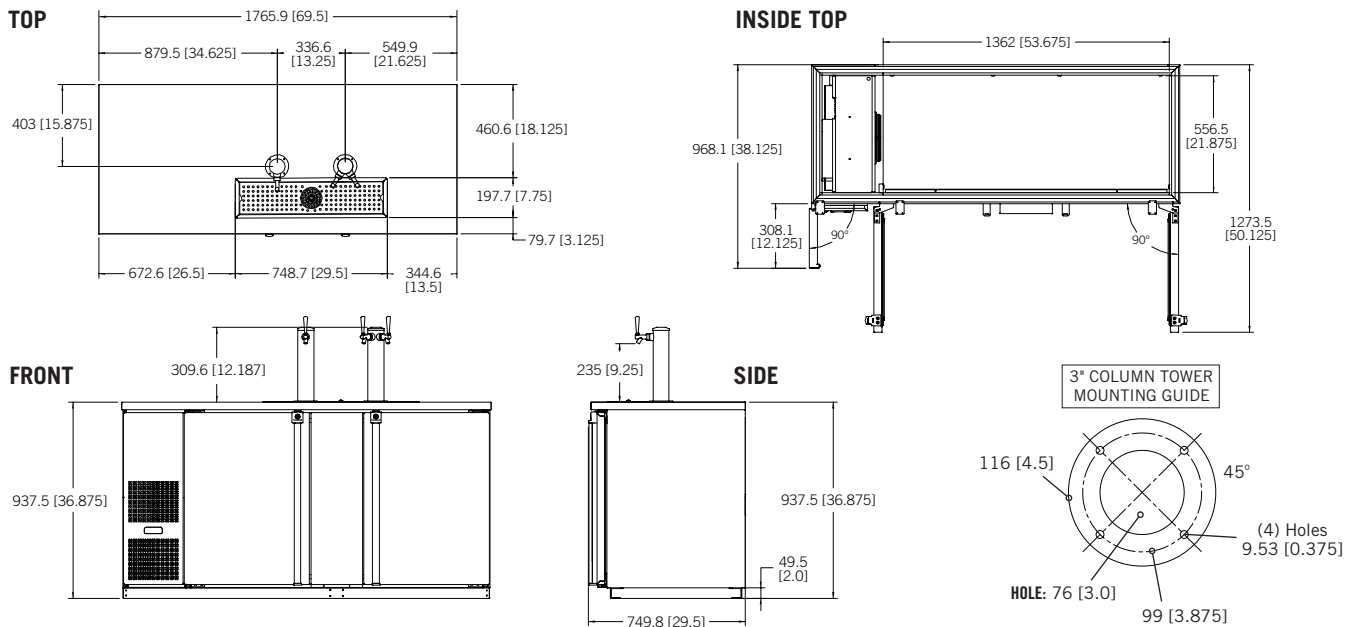
Part No.	Finish	Doors	Shipping Weight
<input type="checkbox"/> MDD68-E	Black with Solid Doors	2	163 kg 359 lb
<input type="checkbox"/> MDD68S-E	Stainless Steel with Solid Doors	2	163 kg 359 lb

**Operating Performance**

Capacity of 1/2 Kegs	3	Running Amps	6.5
Cubic Feet (liters)	28 (793)	Voltage	115/60/1
Draft Towers	2	Plug Type	NEMA-5-15P
Faucets	3	Cord Length	8'
Beer Tower Approval	NSF 7.0 & NSF 18	Refrigerant	R-134a
Approval	ETL Listed, Energy Star	Charge oz (grs)	9.8
Condenser HP	1/3		

Exterior	All Models: 18 gauge 201 grade stainless steel (s/s) top, 22 gauge solid doors, 24 gauge steel front, sides and back. Black Models: Front, sides, back and doors black vinyl over steel. S/S Models: Front, sides, back and doors are s/s.
Interior	20 gauge stainless steel floor and walls, rugged false floor, reinforced frame
Ventilation	Front breathing for cooling and exhaust
Plumbing	Automatic condensate evaporator, no drain connection required. Evaporator condensate has been plumbed to a condensate pan located in the compressor housing
Glass Rinser	15-20 PSI water connection
Insulation	Foamed-in-place using high density, CFC-free polyurethane; 2" top, walls and floor
Accessories	Castors or 6" fixed legs

**Dimensions**



 **MICRO MATIC**  
 Toll-Free: 1-866-327-4159  
[www.micromatic.com](http://www.micromatic.com)

**West**  
 1791 Bahama St.  
 Northridge, CA 91324  
 Tel. (818) 701-9765  
 Fax. (818) 701-9844

**Central**  
 10726 North Second St.  
 Machesney Park, IL 61115  
 Tel. (815) 968-7557  
 Fax. (815) 968-0363

**Southeast**  
 2386 Simon Ct.  
 Brooksville, FL 34604  
 Tel. (352) 799-6331  
 Fax. (352) 796-2429

**Northeast**  
 4601 Saucon Creek Rd.  
 Center Valley, PA 18034  
 Tel. (610) 625-4464  
 Fax. (610) 625-4466