



- Designed by beer-industry experts for performance and value
- Front breathing for cooling and exhaust



MBB58-E
Black



MBB58G-E
Black with Glass Doors



MBB58S-E
Stainless Steel



MBB58GS-E
Stainless Steel
with Glass Doors



Adjustable Digital Thermostat!
Easy to read exterior mounted



Listed by Edison Testing Laboratories.
Conforms to UL & NSF Standards.



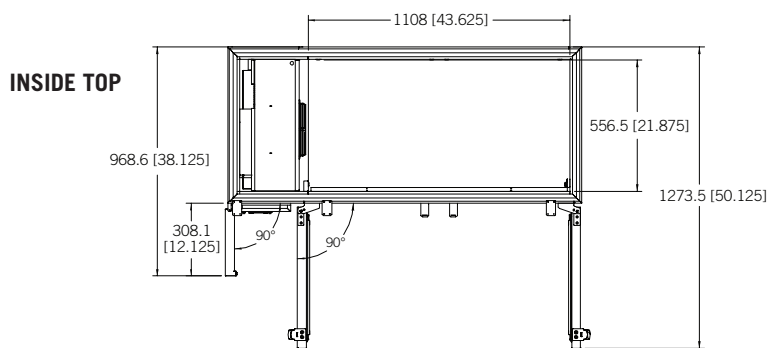
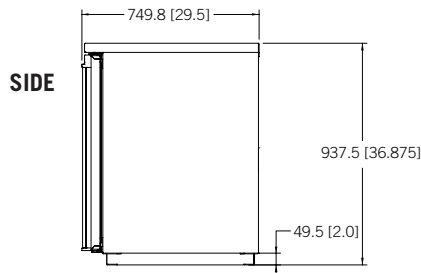
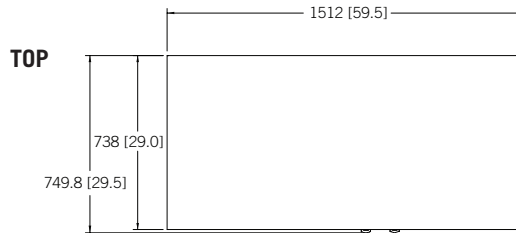
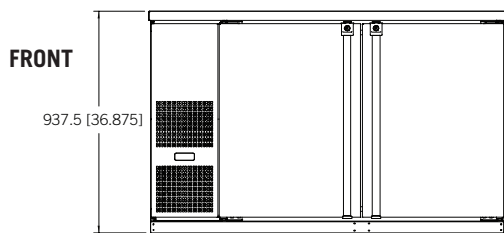
Part No.	Door Type	Door Type	Finish	Doors	Shipping Weight	
<input type="checkbox"/> MBB58-E	Solid	MBB58G-E	Glass	Black	2	145 kg 318 lb
<input type="checkbox"/> MBB58S-E	Solid	MBB58GS-E	Glass	Stainless Steel	2	145 kg 318 lb

Operating Performance

Keg Capacity	2 (1/2 keg), 1 (1/4 Slim Keg)	Running Amps	6.5
Cubic Feet (liters)	23.7 (670)	Voltage	115/60/1
Shelves, Flat - Included	2	Plug Type	NEMA-5-15P
Shelves, Dividers - Included	2	Cord Length	8'
Cans 12 oz (355ml)	852	Refrigerant	R-134a
Approval	ETL Listed, Energy Star	Charge oz	9.8
Condenser HP	1/3		

Exterior	All Models: 18 gauge 201 grade stainless steel (s/s) top, 22 gauge solid doors, 24 gauge steel front, sides and back. Black Models: Front, sides, back and doors black vinyl over steel. S/S Models: Front, sides, back and doors are s/s.
Interior	20 gauge stainless steel floor and walls, rugged false floor, reinforced frame
Ventilation	Front breathing for cooling and exhaust
Plumbing	Automatic condensate evaporator, no drain connection required. Evaporator condensate has been plumbed to a condensate pan located in the compressor housing
Insulation	Foamed-in-place using high density, CFC-free polyurethane; 2" top, walls and floor
Accessories	Castors or 6" fixed legs

Dimensions




Toll-Free: 1-866-327-4159
www.micromatic.com

West
19791 Bahama St.
Northridge, CA 91324
Tel. (818) 701-9765
Fax. (818) 701-9844

Central
10726 North Second St.
Machesney Park, IL 61115
Tel. (815) 968-7557
Fax. (815) 968-0363

Southeast
2386 Simon Ct.
Brooksville, FL 34604
Tel. (352) 799-6331
Fax. (352) 796-2429

Northeast
4601 Saucon Creek Rd.
Center Valley, PA 18034
Tel. (610) 625-4464
Fax. (610) 625-4466