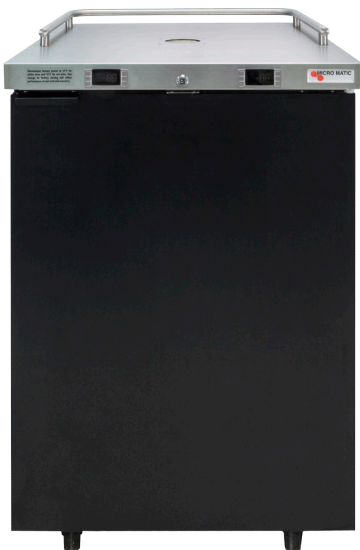


# DUAL TEMPERATURE WINE DISPENSER



PRO-LINE WINE 25" - 4 KEG

- Designed by wine-industry experts for performance and value.
- Two dedicated temperature zones for optimal wine dispensing.
- Pre-drilled for customer tower choice.
- Commercial grade construction - build to last.



**MDD23W**  
Black



**MDD23WS**  
Stainless Steel



**Dual Temperature:** Built In Digital Thermostats



Listed by Edison Testing Laboratories.  
Conforms to UL & NSF Standards.



Stainless Steel



Wine Certified

[www.micromatic.com](http://www.micromatic.com) • 1 (866) 327-4159

PRO-LINE WINE 25" - 4 KEG

Job Number: \_\_\_\_\_ Location: \_\_\_\_\_

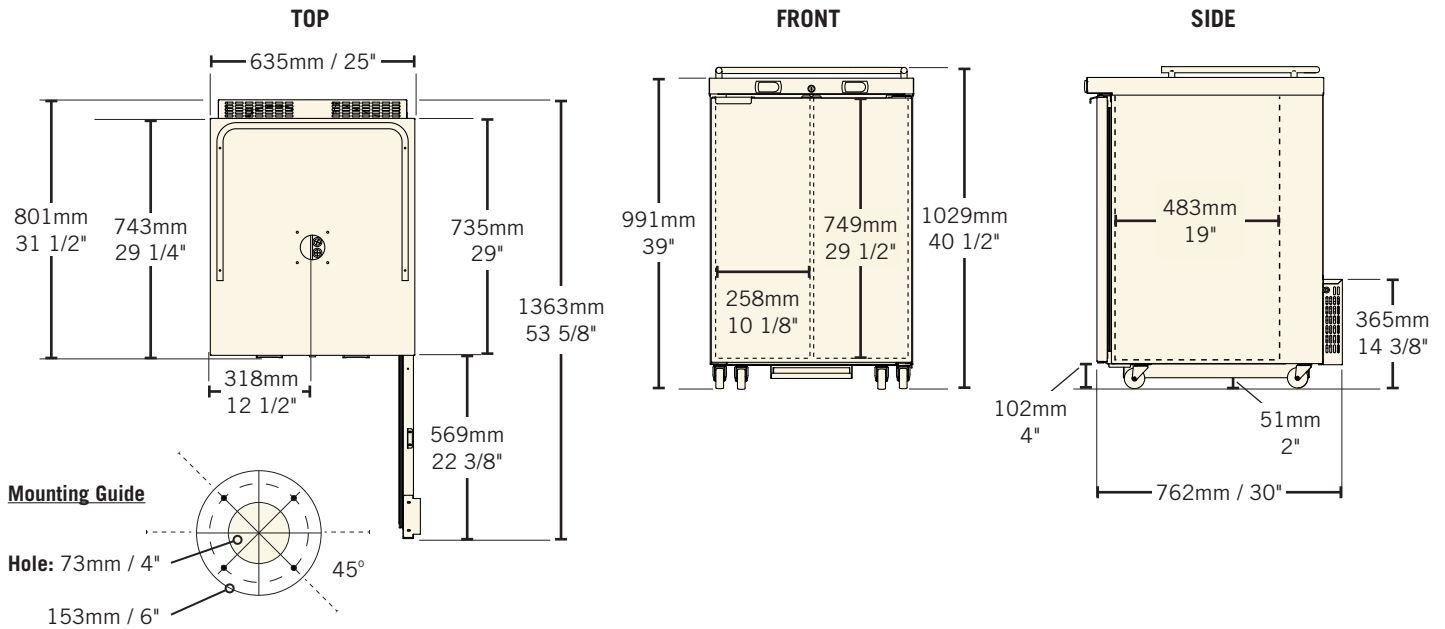
Part No.	Exterior Finish	Doors	Shipping Weight	Box Dimensions
☐ MDD23W	Black	1	76 kg	737mm L x 889mm W x 1169mm H
			167 lbs	29"L x 35"W x 46"H
☐ MDD23WS	Stainless Steel	1	76 kg	737mm L x 889mm W x 1169mm H
			167 lbs	29"L x 35"W x 46"H

Operating Performance

Capacity of 20 Liter Kegs	4 (2 per zone)	Running Amps	2.7
Cubic Feet (liters)	TBD	Condenser HP	1/6
Hole for Wine Font	1	Voltage	115/60/1
Hole Diameter	3"	Plug Type	NEMA-5-15P
Color-coded Digital Thermostats	2 (Blue LED-Whites & Red LED-Reds)	Cord Length	8'
Temperature Range - Whites	42-48°F (5.5 - 8.8C)	Refrigerant	R-134a
Temperature Range - Reds	55-65°F (12.7 - 18.3C)	Charge oz (grs)	10.5 (300)
Approval	ETL Listed		

Exterior	18 gauge stainless steel top, 22 gauge solid doors, 24 gauge steel front, sides and back.
Interior	20 gauge stainless steel floor, reinforced frame, 24 gauge galvanized walls.
Ventilation	Back ventilated.
Plumbing	Automatic condensate evaporator, no drain connection required. Evaporator condensate has been plumbed to a condensate pan located in the compressor housing.
Insulation	Foamed-in-place using high density, CFC-free polyurethane; 1-1/2" top, walls and floor.
Mobility	Castors are standard and not removable.

Dimensions



 **MICRO MATIC**  
 Toll-Free: 1-866-327-4159  
[www.micromatic.com](http://www.micromatic.com)

**West**  
 19791 Bahama St.  
 Northridge, CA 91324  
 Tel. (818) 701-9765  
 Fax. (818) 701-9844

**Central**  
 10726 North Second St.  
 Machesney Park, IL 61115  
 Tel. (815) 968-7557  
 Fax. (815) 968-0363

**Southeast**  
 2364 Simon Ct.  
 Brooksville, FL 34604  
 Tel. (352) 799-6331  
 Fax. (352) 796-2429

**Northeast**  
 4601 Saucon Creek Rd.  
 Center Valley, PA 18034  
 Tel. (610) 625-4464  
 Fax. (610) 625-4466