

- Designed by beer-industry experts for performance and value.
- Integrated glass rinser: condition the glass with cold water before pouring.
- Rugged keg slides – extends floor life.
- Full-size drain tray – larger work area and improved hygiene.



Black
MDD58



▶ Integrated cold water glass rinser.



Stainless Steel
MDD58S

Feature



Listed by Edison
Testing Laboratories.
Conforms to UL & NSF Standards.

Specifications

Micro Matic reserves the right to change specifications without notice. **AUTOQUOTES**

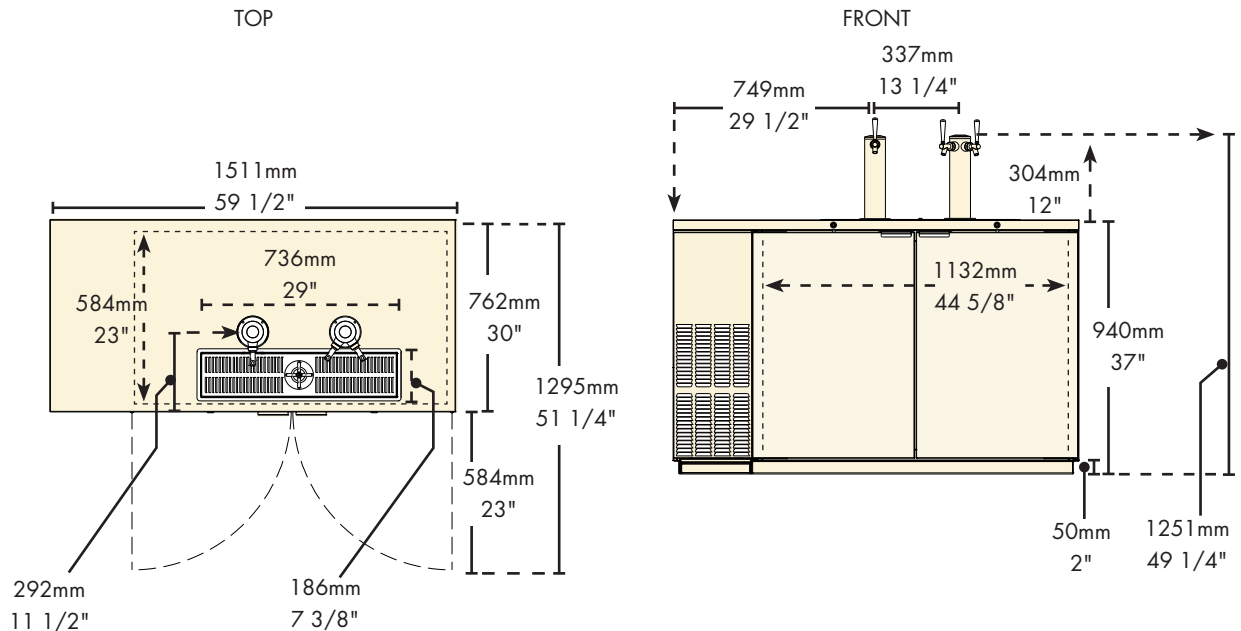
Part No.	Exterior Finish	Doors	Shipping Weight	Box Dimensions
☐ MDD58	Black With Solid Doors	2	156 kg	1537mm L x 762mm W x 1143mm H
			343 lbs	60 1/2"L x 30"W x 45"H
☐ MDD58S	Stainless Steel With Solid Doors	2	156 kg	1537mm L x 762mm W x 1143mm H
			343 lbs	60 1/2"L x 30"W x 45"H

Operating Performance

Keq Capacity	2 1/2 Kegs & 1 1/4 Slim	Running Amps	6.5
Cubic Feet (liters)	23.7 (670)	Voltage	115/60/1
Draft Towers	2	Plug Type	NEMA-5-15P
Faucets	3	Cord Length	8'
Beer Tower Approval	NSF 7.0 & NSF 18	Refrigerant	R-134a
Approval	ETL Listed	Charge oz (Grs)	10.5 (300)
Condenser HP	1/3		

Exterior	All Models: 18 gauge stainless steel top, 22 gauge solid doors, 24 gauge steel front, sides and back. Black Models: Front, sides, back and doors black vinyl over steel. Stainless Steel Models: Front, sides, back & doors are stainless steel.
Interior	20 gauge stainless steel floor, rugged false floor, reinforced frame, 24 gauge galvanized walls
Ventilation	Front and back ventilated
Plumbing	Automatic condensate evaporator, no drain connection required. Evaporator condensate has been plumbed to a condensate pan located in the compressor housing.
Glass Rinser	15 - 20 PSI Water Connection
Insulation	Foamed-in-place using high density, CFC-free polyurethane; 1-1/2" top, walls and floor.
Accessories	Castors or 6" Fixed Legs

Dimensions



Copyright ©2012 Micro Matic USA, Inc. All Rights Reserved. 00464D0513



www.micromatic.com

Toll Free: 1-(866) 327-4159

West	Central	Southeast	Northeast
19791 Bahama Street Northridge, CA 91324 Tel. (818) 701-9765 Fax. (818) 701-9844	10726 North Second Street Machesney Park, IL 61115 Tel. (815) 968-7557 Fax. (815) 968-0363	2364 Simon Court Brooksville, FL 34604 Tel. (352) 799-6331 Fax. (352) 796-2429	4601 Saucon Creek Road Center Valley, PA 18034 Tel. (610) 625-4464 Fax. (610) 625-4466