

- Designed by beer-industry experts for performance and value.
- Commercial grade construction – built to last.
- Side mounted evaporator for maximum interior space utilization.
- Glass doors units for expanded merchandising.



Black  
**MBB78**



Black with Glass Doors  
**MBB78G**



Stainless Steel  
**MBB78S**



Stainless Steel with Glass Doors  
**MBB78GS**

## Feature



Listed by Edison  
Testing Laboratories.  
Conforms to UL & NSF Standards.

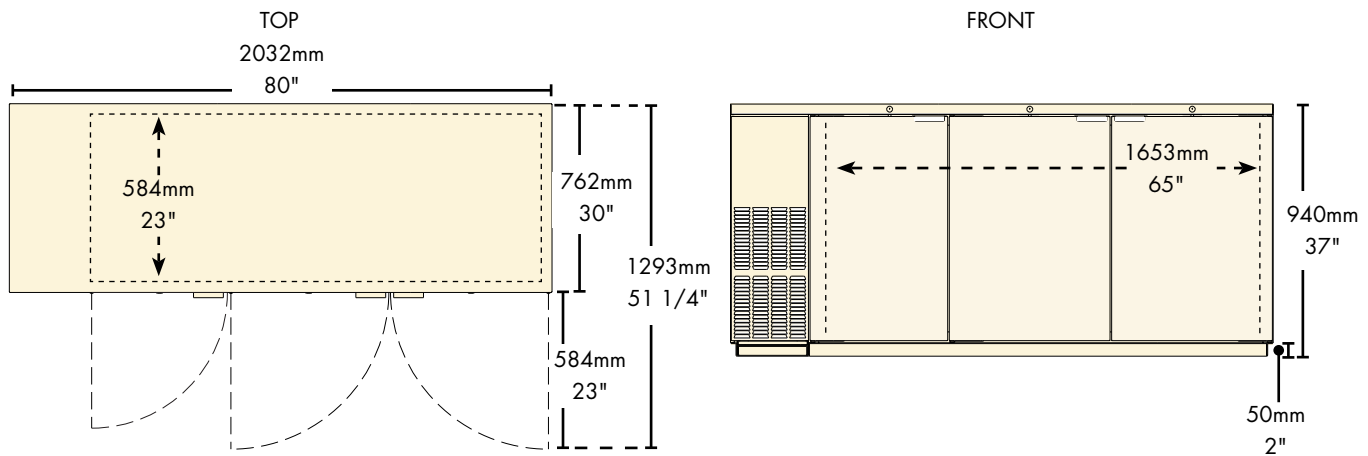
Part No.	Exterior Finish	Doors	Shipping Weight	Box Dimensions
☐ <a href="#">MBB78</a>	Black With Solid Doors	3	181 kg	2057mm L x 762mm W x 1143mm H
			400 lbs	81"L x 30"W x 45"H
☐ <a href="#">MBB78G</a>	Black With Glass Doors	3	181 kg	2057mm L x 762mm W x 1143mm H
			400 lbs	81"L x 30"W x 45"H
☐ <a href="#">MBB78S</a>	Stainless Steel With Solid Doors	3	181 kg	2057mm L x 762mm W x 1143mm H
			400 lbs	81"L x 30"W x 45"H
☐ <a href="#">MBB78GS</a>	Stainless Steel With Glass Doors	3	181 kg	2057mm L x 762mm W x 1143mm H
			400 lbs	81"L x 30"W x 45"H

**Operating Performance**

<b>Capacity of 1/2 Kegs</b>	4	<b>Running Amps</b>	6.7
<b>Cubic Feet (liters)</b>	30.8 (872)	<b>Voltage</b>	115/60/1
<b>Shelves, Flat - Included</b>	2	<b>Plug Type</b>	NEMA-5-15P
<b>Shelves, Dividers - Included</b>	4 (92 cans per shelf)	<b>Cord Length</b>	8'
<b>Cans 12 oz (355ml)</b>	1092	<b>Refrigerant</b>	R-134a
<b>Approval</b>	ETL Listed	<b>Charge oz (Grs)</b>	12.30 (350)
<b>Condenser HP</b>	1/3		

<b>Exterior</b>	All Models: 18 gauge stainless steel top, 22 gauge solid doors, 24 gauge steel front, sides and back. Black Models: Front, sides, back and doors black vinyl over steel. Stainless Steel Models: Front, sides, back & doors are stainless steel.
<b>Interior</b>	20 gauge stainless steel floor, reinforced frame, 24 gauge galvanized walls
<b>Ventilation</b>	Front and back ventilated
<b>Plumbing</b>	Automatic condensate evaporator, no drain connection required. Evaporator condensate has been plumbed to a condensate pan located in the compressor housing.
<b>Insulation</b>	Foamed-in-place using high density, CFC-free polyurethane; 1-1/2" top, walls and floor.
<b>Accessories</b>	Castors or 6" Fixed Legs

**Dimensions**



Copyright ©2012 Micro Matic USA, Inc. All Rights Reserved. 00461-D0312



[www.micromatic.com](http://www.micromatic.com)

Toll Free: 1-(866) 327-4159

West	Central	Southeast	Northeast
19791 Bahama Street Northridge, CA 91324 Tel. (818) 701-9765 Fax. (818) 701-9844	10726 North Second Street Machesney Park, IL 61115 Tel. (815) 968-7557 Fax. (815) 968-0363	2364 Simon Court Brooksville, FL 34604 Tel. (352) 799-6331 Fax. (352) 796-2429	4601 Saucon Creek Road Center Valley, PA 18034 Tel. (610) 625-4464 Fax. (610) 625-4466