



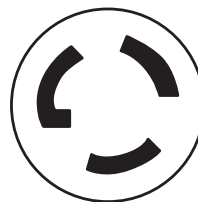
POWER PACK - AIR COOLED

PREMIUM - 2 PUMP - 2,300 BTUs

- Engineered by beer-industry experts for performance and value.
- Digital thermostat for accurate glycol bath temperature.
- Expanded urethane foam insulates cabinet to maintain glycol temperature and minimize condensation.
- Exterior sight glass to verify glycol bath level.
- Anti-vibration pads reduce motor noise.
- Rugged stainless steel cabinet.



MMPP4301-PKG



L5-30P



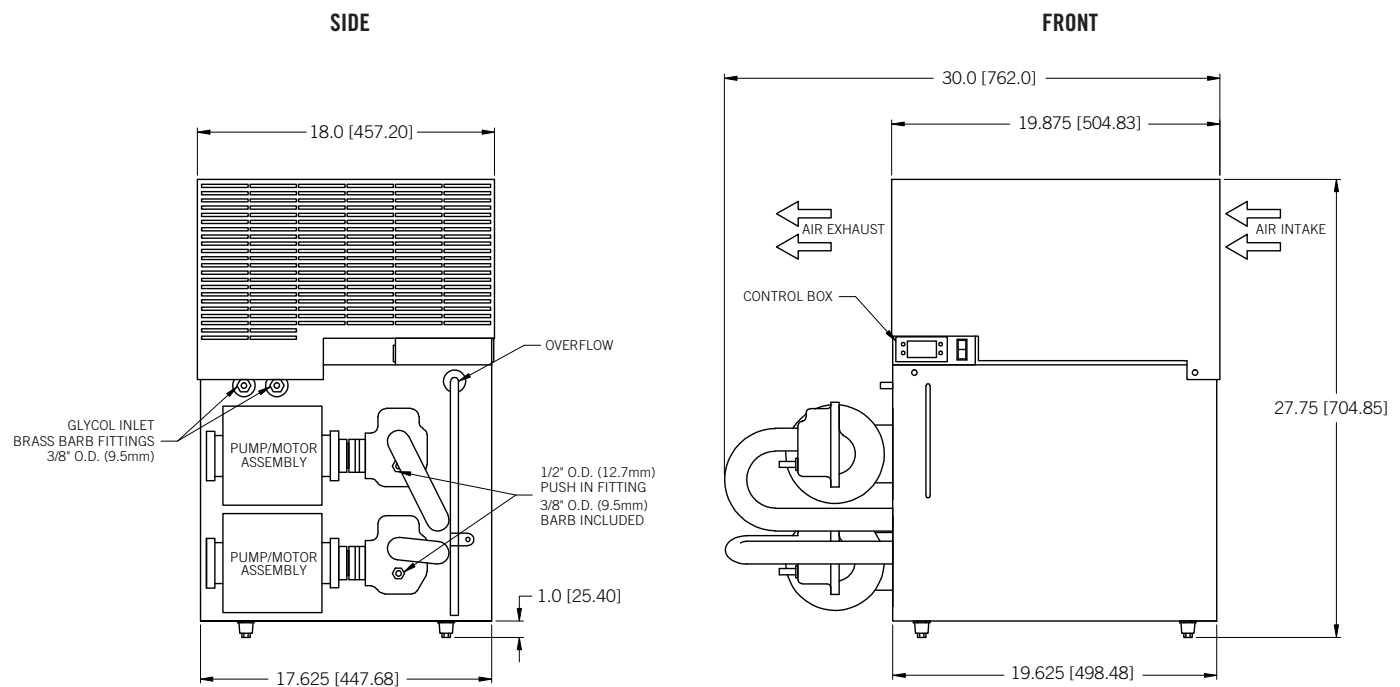
Part No.	Description	Shipping Weight
<input type="checkbox"/> MMPP4301-PKG	Air cooled power pack, 2 pump and motor	58 kg 128 lbs

Operating Performance

Compressor	1/3 HP
BTU per hour	2,300
Plug Type (NEMA #)	L5-30P
Voltage	115
Running	17.7A
Refrigerant	R-134a

Charge	0.34 kg (12 oz)
Refrigerant Running Pressure	18 (low) 140 (high)
Bath Capacity	43.5 litre (11.5 gallons)
Pump Type	Rotary Vane
Push In Connector	12.7mm (1/2") O.D.

Dimensions



Toll-Free: 1-866-327-4159
www.micromatic.com

West

19791 Bahama St.
Northridge, CA 91324
Tel. (818) 701-9765
Fax. (818) 701-9844

Central

10726 North Second St.
Machesney Park, IL 61115
Tel. (815) 968-7557
Fax. (815) 968-0363

Southeast

15111 Dispense Ln.
Brooksville, FL 34604
Tel. (352) 799-6331
Fax. (352) 796-2429

Northeast

4601 Saucon Creek Rd.
Center Valley, PA 18034
Tel. (610) 625-4464
Fax. (610) 625-4466