



DRAFT TOWER

KOOL-RITE™ INSERT – 16 FAUCET

- Imagine the draft tower possibilities to match a theme or décor
- Design and build a custom tower around Kool-Rite
- Kool-Rite technology with patented cooling blocks and leak proof shanks
- All stainless steel contact with the beer for the ultimate in draft purity

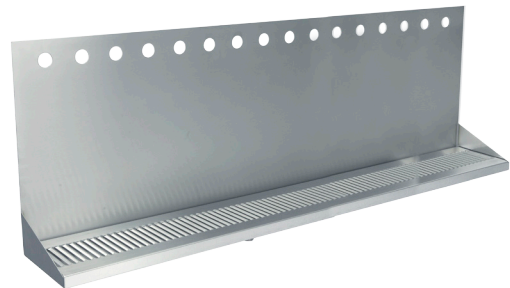
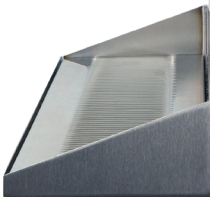



1739




DP-332ELD-16-3

Matching Drip Tray

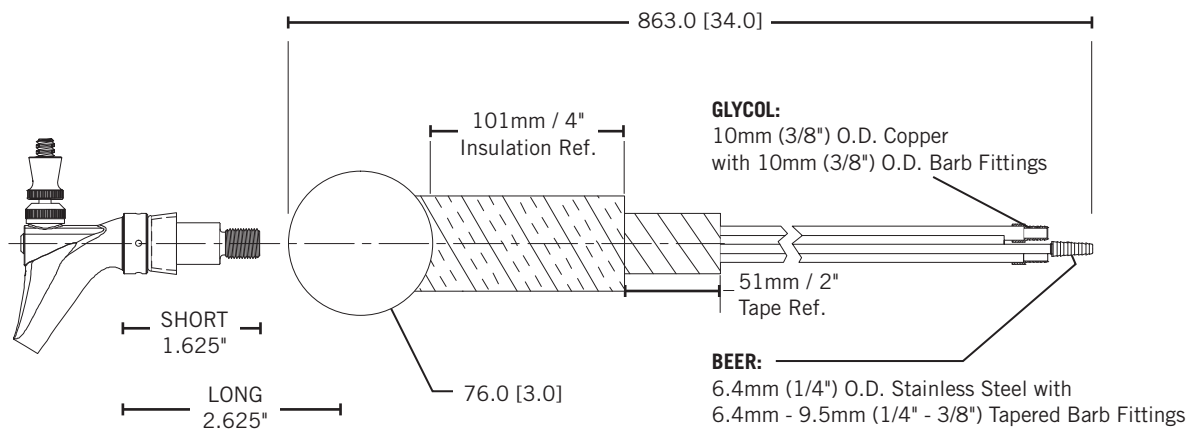
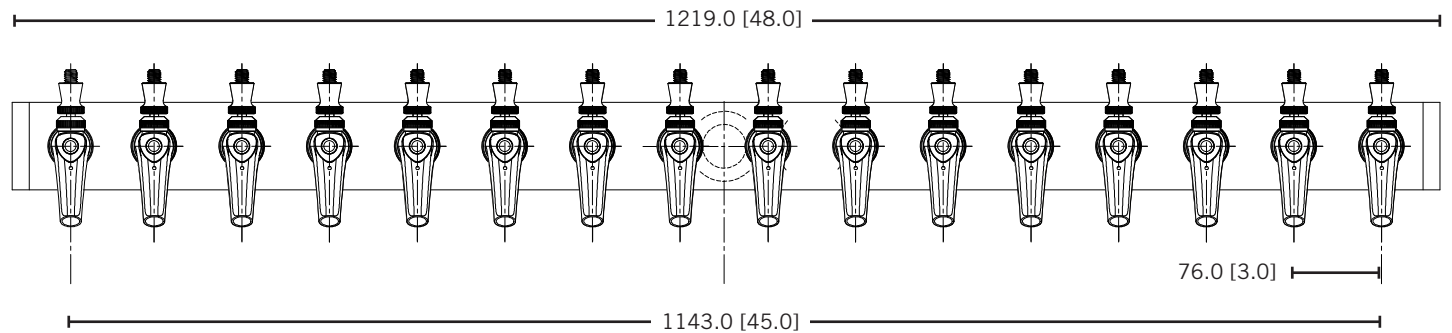


 Certified by the National Sanitation Foundation (Pending)

 The integrated Kool-Rite module provides optimum cooling at the point of dispense. The module construction makes the installation process as simple as PLUG "N" POUR.

Part No.	Faucets	Shank Length	Dispense System	Shipping Weight
□ 1739-L	16	Long	Kool-Rite (Glycol)	18 kg
				39 lbs
□ 1739-S	16	Short	Kool-Rite (Glycol)	18 kg
				39 lbs

Dimensions



West
19791 Bahama St.
Northridge, CA 91324
Tel. (818) 701-9765
Fax. (818) 701-9844

Central
10726 North Second St.
Machesney Park, IL 61115
Tel. (815) 968-7557
Fax. (815) 968-0363

Southeast
15111 Dispense Ln.
Brooksville, FL 34604
Tel. (352) 799-6331
Fax. (352) 796-2429

Northeast
4601 Saucon Creek Rd.
Center Valley, PA 18034
Tel. (610) 625-4464
Fax. (610) 625-4466