



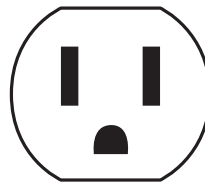
POWER PACK - AIR COOLED

ECONOMY - 1 PUMP - 2,300 BTUs

- Engineered by beer-industry experts for performance and value.
- Digital thermostat for accurate glycol bath temperature.
- Expanded urethane foam insulates cabinet to maintain glycol temperature and minimize condensation.
- Exterior sight glass to verify glycol bath level.
- Rugged stainless steel cabinet.



MMPP4301-EP



5-15P

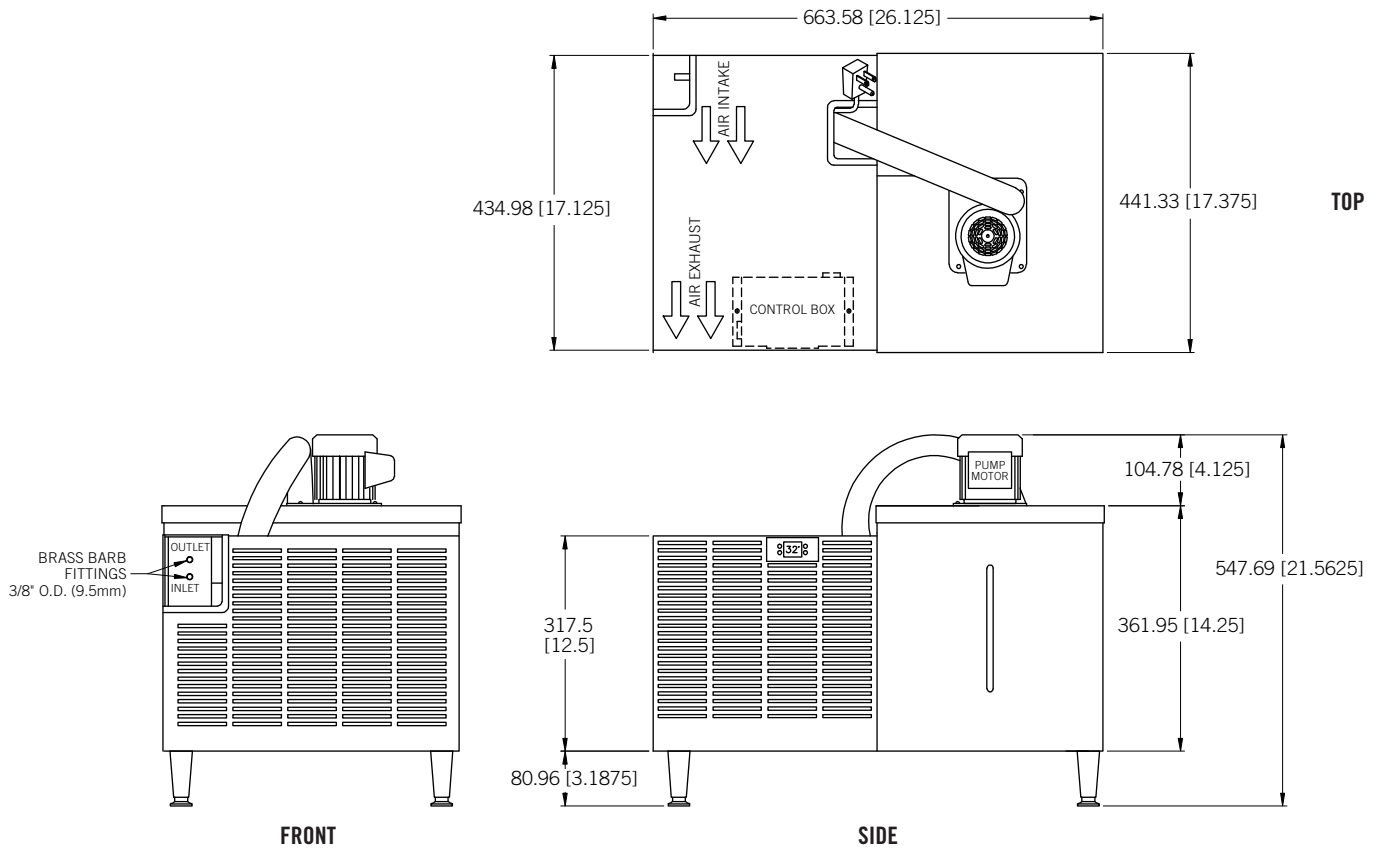


Part No.	Description	Shipping Weight
<input type="checkbox"/> MMPP4301-EP	Air cooled power pack, 1 vertical pump	41 kg
		90 lbs

Operating Performance

Compressor	1/3 HP
BTU per hour	2,300
Plug Type (NEMA #)	5-15P
Voltage	115
Running	7.0A
Refrigerant	R-134a
Charge	0.28 kg (10 oz)
Refrigerant Running Pressure	18 (low) 140 (high)
Bath Capacity	17 litre (4.5 gallons)
Pump Type	Vertical
Inlet Barb	9.52mm (3/8")
Outlet Barb	9.52mm (3/8")
Cabinet Cover	Included

Dimensions



Toll-Free: 1-866-327-4159
www.micromatic.com

West

19791 Bahama St.
 Northridge, CA 91324
 Tel. (818) 701-9765
 Fax. (818) 701-9844

Central

10726 North Second St.
 Machesney Park, IL 61115
 Tel. (815) 968-7557
 Fax. (815) 968-0363

Southeast

15111 Dispense Ln.
 Brooksville, FL 34604
 Tel. (352) 799-6331
 Fax. (352) 796-2429

Northeast

4601 Saucon Creek Rd.
 Center Valley, PA 18034
 Tel. (610) 625-4464
 Fax. (610) 625-4466