



- Contemporary styling displaying draft beer variety.
- The draft tower is a marketing tool, not just a bar fixture.
- Exterior finish will provide years of durable service.
- All stainless steel contact with the beer for the ultimate in draft purity.



Faucet knobs not included.

### Features

**PVD** Tarnish Free  
PVD Brass.

**NSF** Certified  
by the National  
Sanitation Foundation.

**S** Stainless Steel  
beer contact for the pure  
taste of fresh draft beer.


**INSIDE** The integrated Kool-Rite module provides  
optimum cooling at the point of dispense.  
Modular construction makes the installation  
process as simple as PLUG "N" POUR.

# Specifications

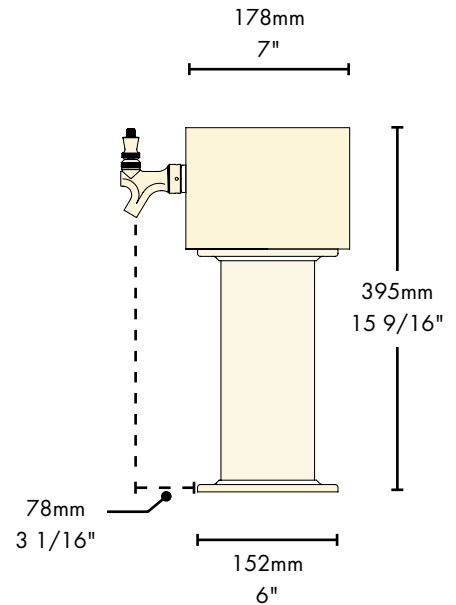
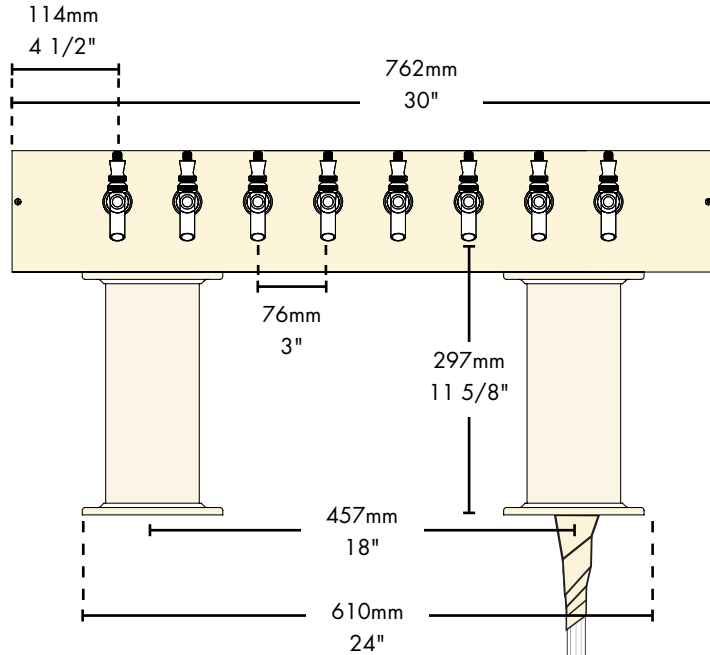
Micro Matic reserves the right to change specifications without notice.

**AUTOQUOTES**

Part No.	Faucets	Finish	Dispense System	Shipping Weight	Box Dimensions
<input type="checkbox"/> <b>DPT48PSSKR*</b>	8	Polished S/S	Kool-Rite (Glycol)	25 kg 54 lbs	1168mm L x 940mm W x 406mm H 46"L x 37"W x 16"H
<input type="checkbox"/> <b>DPT48PVDKR*</b>	8	PVD Brass	Kool-Rite (Glycol)	25 kg 54 lbs	1168mm L x 940mm W x 406mm H 46"L x 37"W x 16"H

 NSF Certified

# Dimensions

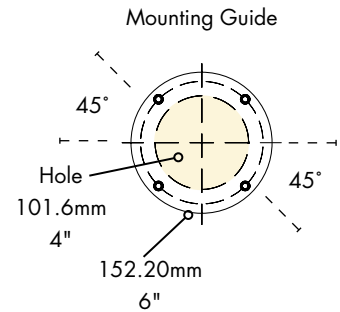
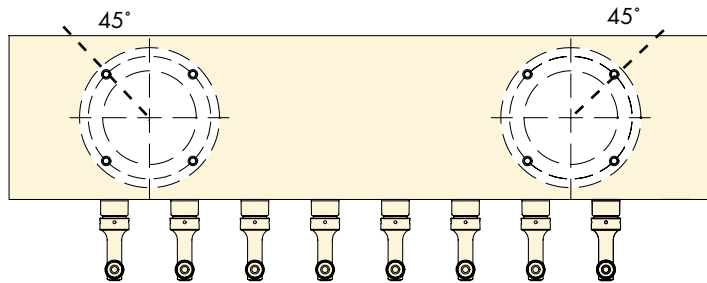


**BEER:**

6mm (1/4") O.D. Stainless Steel  
with 8mm - 9.5mm (5/16" - 3/8") Barb Fittings

**GLYCOL:**

9.5mm (3/8") O.D. Copper  
with 9.5mm (3/8") Barb Fittings



Copyright ©2011 Micro Matic USA, Inc. All Rights Reserved. 00212.D1008



[www.micromatic.com](http://www.micromatic.com)

Toll Free: 1-(866) 327-4159

West	Central	Southeast	Northeast
------	---------	-----------	-----------

19791 Bahama Street  
Northridge, CA 91324  
Tel. (818) 701-9765  
Fax. (818) 701-9844

10726 North Second Street  
Machesney Park, IL 61115  
Tel. (815) 968-7557  
Fax. (815) 968-0363

2364 Simon Court  
Brooksville, FL 34604  
Tel. (352) 799-6331  
Fax. (352) 796-2429

4601 Saucon Creek Road  
Center Valley, PA 18034  
Tel. (610) 625-4464  
Fax. (610) 625-4466