



- Flowing curves with a mirror polish finish.
- Available in either frost-free exterior or ice frosted exterior.
- The draft tower is a marketing tool, not just a bar fixture.
- All stainless steel contact with the beer for the ultimate in draft purity.



Chrome  
[6601-C](#)



Chrome  
[6601-C-M](#)

Faucet knobs not included.

**S** Stainless Steel  
beer contact for the pure taste  
of fresh draft beer.

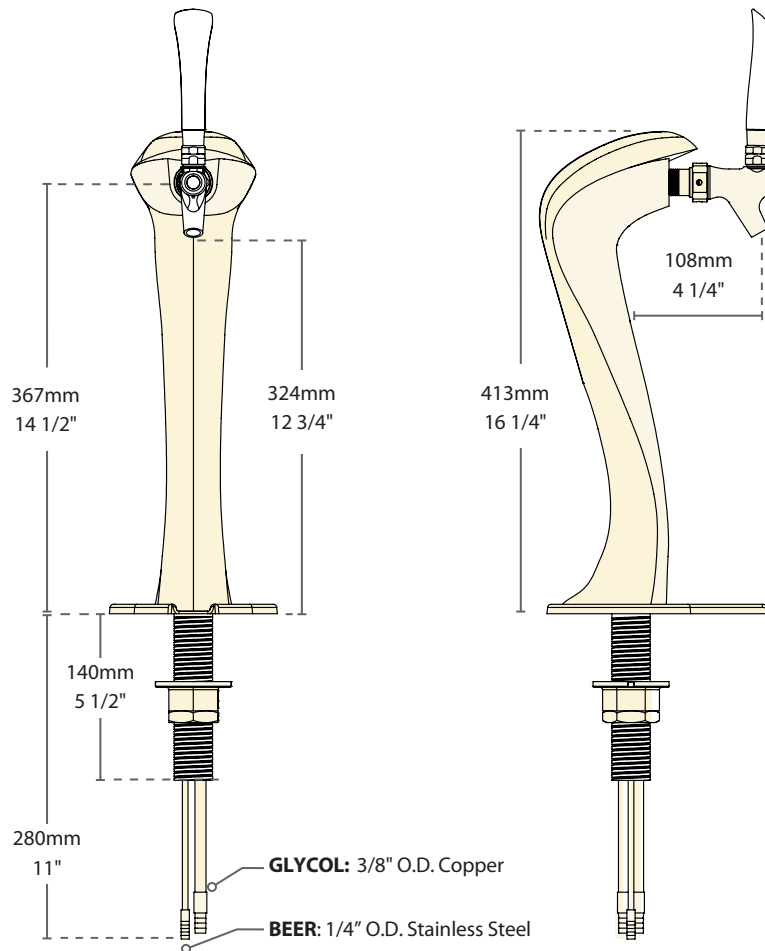
# Specifications

Micro Matic reserves the right to change specifications without notice.

**AUTOQUOTES**

Part No.	Faucets	Finish	Dispense System	Shipping Weight	Box Dimensions
☐ <b>6601-C</b> (No Ice)	1	Chrome	Glycol	4 kg	737mm L x 203mm W x 102mm H
				9 lbs	29"L x 8"W x 4"H
☐ <b>6601-G</b> (No Ice)	1	Gold	Glycol	4 kg	737mm L x 203mm W x 102mm H
				9 lbs	29"L x 8"W x 4"H
☐ <b>6601-C-F</b> (Ice Frosted)	1	Chrome	Glycol	4 kg	737mm L x 203mm W x 102mm H
				9 lbs	29"L x 8"W x 4"H
☐ <b>6601-C-M</b> (No Ice, Medallion)	1	Chrome	Glycol	4 kg	737mm L x 203mm W x 102mm H
				9 lbs	29"L x 8"W x 4"H
☐ <b>6601-G-M</b> (No Ice, Medallion)	1	Gold	Glycol	4 kg	737mm L x 203mm W x 102mm H
				9 lbs	29"L x 8"W x 4"H

# Dimensions



01220-D1112 Copyright ©2012 Micro Matic USA, Inc. All Rights Reserved.



**MICRO MATIC**

[www.micromatic.com](http://www.micromatic.com)

Toll Free: 1-(866) 327-4159

West	Central	Southeast	Northeast
19791 Bahama Street Northridge, CA 91324 Tel. (818) 701-9765 Fax. (818) 701-9844	10726 North Second Street Machesney Park, IL 61115 Tel. (815) 968-7557 Fax. (815) 968-0363	2364 Simon Court Brooksville, FL 34604 Tel. (352) 799-6331 Fax. (352) 796-2429	4601 Saucon Creek Road Center Valley, PA 18034 Tel. (610) 625-4464 Fax. (610) 625-4466