

REMOTE POWER PACK - AIR COOLED

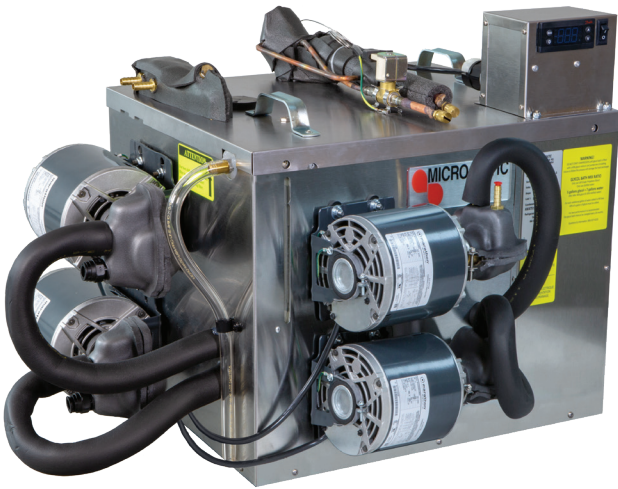


PREMIUM - 4 PUMP - 11,500 BTUs

- Engineered by beer-industry experts for performance and value.
- Digital thermostat for accurate glycol bath temperature.
- Expanded urethane foam insulates cabinet to maintain glycol temperature and minimize condensation.
- Exterior sight glass to verify glycol bath level.
- Anti-vibration pads reduce motor noise.
- Remote condenser for accessibility.
- Fan control switch and crank case heater included.
- Pump down refrigeration system.

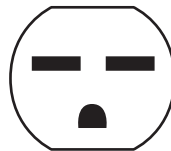


Remote Condenser Unit
(cover included)



Glycol Bath, Pumps & Motors
(cover included)

MMPP4307-PKG-4-R



6-15P



Part No.	Description	Shipping Weight
<input type="checkbox"/> MMPP4307-PKG-4-R	Remote condenser, air cooled power pack, 4 pump and motor	80 kg 175 lbs

Operating Performance

Compressor	1 1/2 HP	Charge	TBD
BTU per hour	11,500	Refrigerant Running Pressure	55 (low) 260 (high)
Plug Type (NEMA #)	6-15P	Bath Capacity	43.5 litre (11.5 gallons)
Voltage	208/230	Pump Type	Rotary Vane
Running Amps*	11.5A	Push In Connector	12.7mm (1/2") O.D.
Refrigerant	R-404a		

*Two circuits – one for the condensing unit and one for the bath.

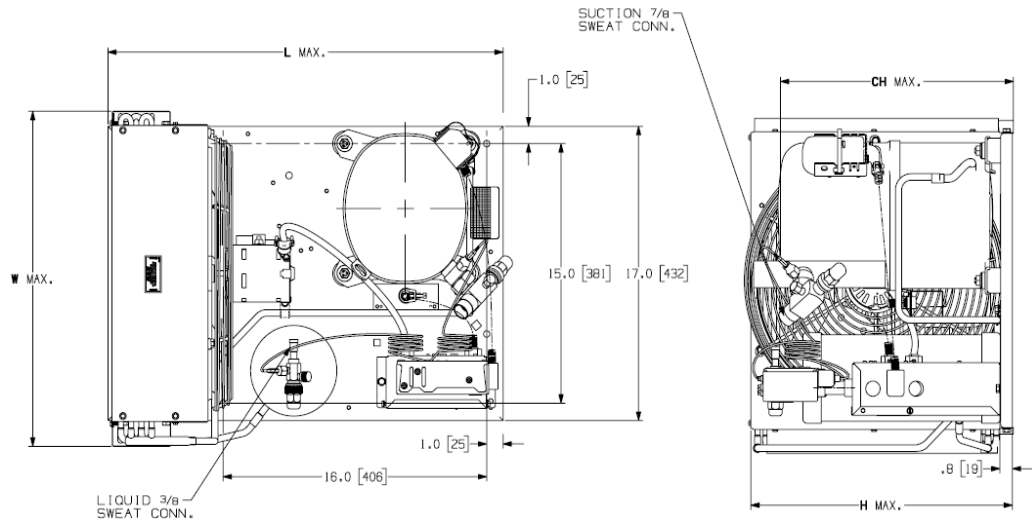
Dimensions

REMOTE CONDENSING UNIT

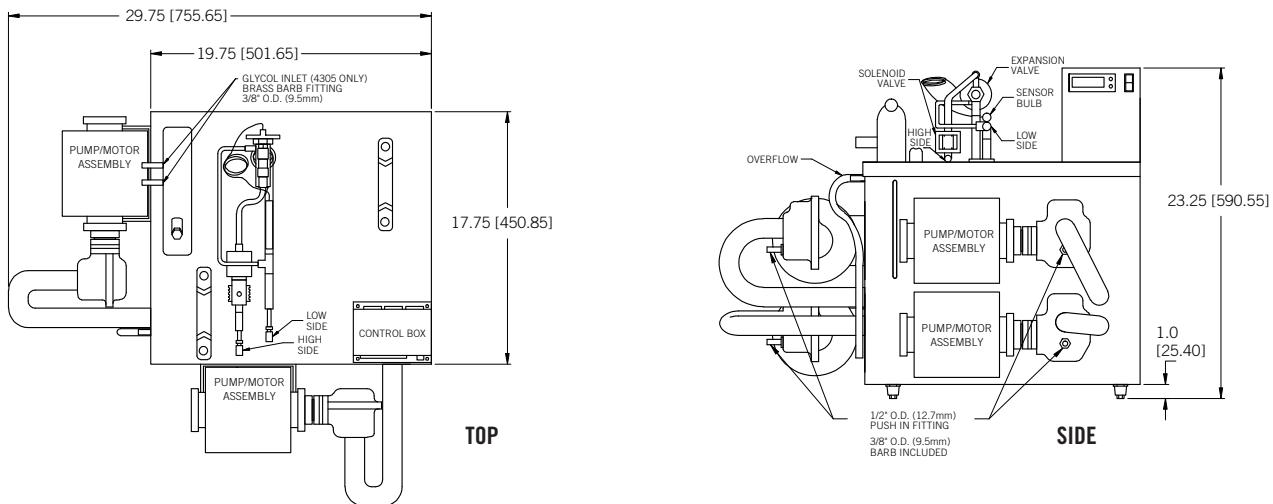
Remote Power Packs must be installed by a qualified refrigeration technician, copper line set, drier, sight glass and refrigerant must be provided by installer. The condensing unit needs to be hard wired and the bath has a cord and plug.

Maximum distance from bath to compressor is 50 ft.

DIMENSIONS IN INCHES			
L	W	H	CH
24.0	19.4	16.2	15.6



GLYCOL BATH, PUMPS & MOTORS



 **MICRO MATIC**
Toll-Free: 1-866-327-4159
www.micromatic.com

West
19791 Bahama St.
Northridge, CA 91324
Tel. (818) 701-9765
Fax. (818) 701-9844

Central
10726 North Second St.
Machesney Park, IL 61115
Tel. (815) 968-7557
Fax. (815) 968-0363

Southeast
15111 Dispense Ln.
Brooksville, FL 34604
Tel. (352) 799-6331
Fax. (352) 796-2429

Northeast
4601 Saucon Creek Rd.
Center Valley, PA 18034
Tel. (610) 625-4464
Fax. (610) 625-4466