

# REMOTE POWER PACK - AIR COOLED



PREMIUM - 2 PUMP - 5,100 BTUs

- Engineered by beer-industry experts for performance and value.
- Digital thermostat for accurate glycol bath temperature.
- Expanded urethane foam insulates cabinet to maintain glycol temperature and minimize condensation.
- Exterior sight glass to verify glycol bath level.
- Anti-vibration pads reduce motor noise.
- Remote condenser for accessibility.
- Fan control switch and crank case heater included.
- Pump down refrigeration system.

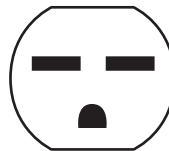


Remote Condenser Unit  
(cover included)



Glycol Bath, Pumps & Motors  
(cover included)

**MMPP4303-PKG-R**



6-15P



Part No.	Description	Shipping Weight
<input type="checkbox"/> MMPP4303-PKG-R	Remote condenser, air cooled power pack, 2 pump and motor	TBD
		TBD

**Operating Performance**

Compressor	3/4 HP
BTU per hour	5,100
Plug Type (NEMA #)	6-15P
Voltage	208/230
Running Amps*	9.5A
Refrigerant	R-134a

Charge	TBD
Refrigerant Running Pressure	18 (low) 140 (high)
Bath Capacity	43.5 litre (11.5 gallons)
Pump Type	Rotary Vane
Push In Connector	12.7mm (1/2") O.D.

\*Two circuits – one for the condensing unit and one for the bath.

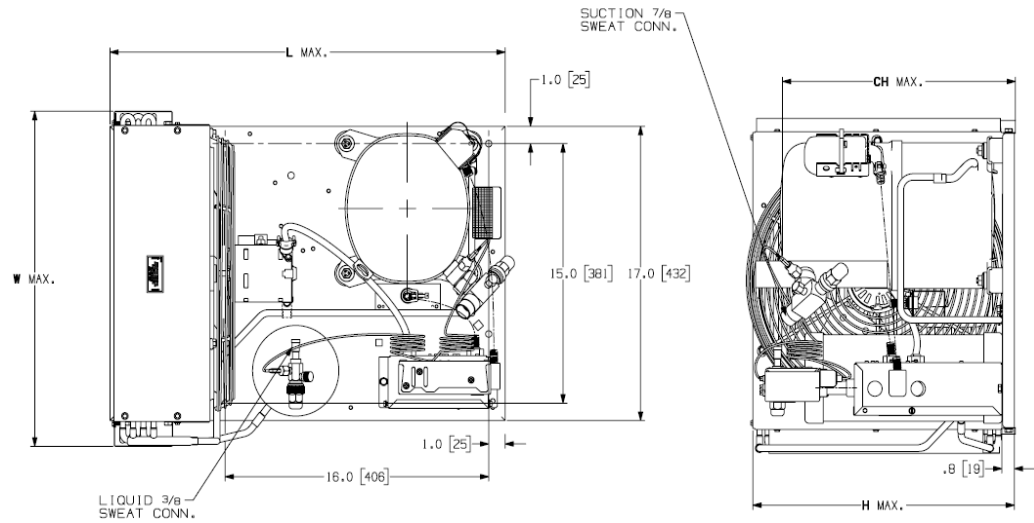
**Dimensions**

**REMOTE CONDENSING UNIT**

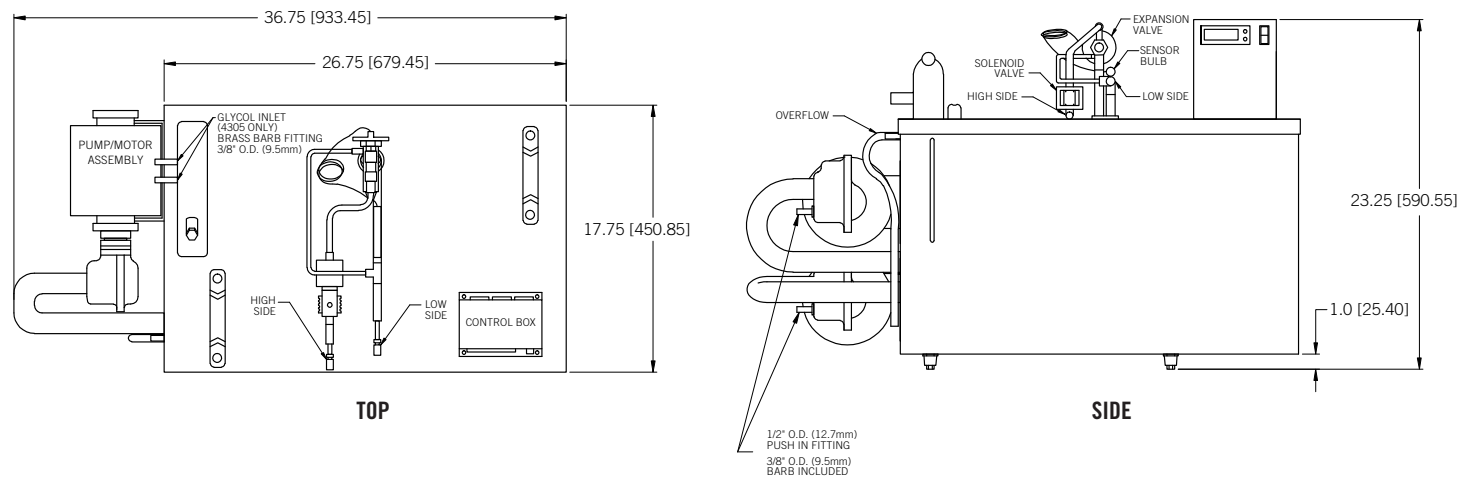
Remote Power Packs must be installed by a qualified refrigeration technician, copper line set, drier, sight glass and refrigerant must be provided by installer. The condensing unit needs to be hard wired and the bath has a cord and plug.

Maximum distance from bath to compressor is 50 ft.

DIMENSIONS IN INCHES			
L	W	H	CH
24.0	19.4	16.2	15.6



**GLYCOL BATH, PUMPS & MOTORS**



 **MICRO MATIC**  
 Toll-Free: 1-866-327-4159  
[www.micromatic.com](http://www.micromatic.com)

**West**  
 19791 Bahama St.  
 Northridge, CA 91324  
 Tel. (818) 701-9765  
 Fax. (818) 701-9844

**Central**  
 10726 North Second St.  
 Machesney Park, IL 61115  
 Tel. (815) 968-7557  
 Fax. (815) 968-0363

**Southeast**  
 15111 Dispense Ln.  
 Brooksville, FL 34604  
 Tel. (352) 799-6331  
 Fax. (352) 796-2429

**Northeast**  
 4601 Saucon Creek Rd.  
 Center Valley, PA 18034  
 Tel. (610) 625-4464  
 Fax. (610) 625-4466