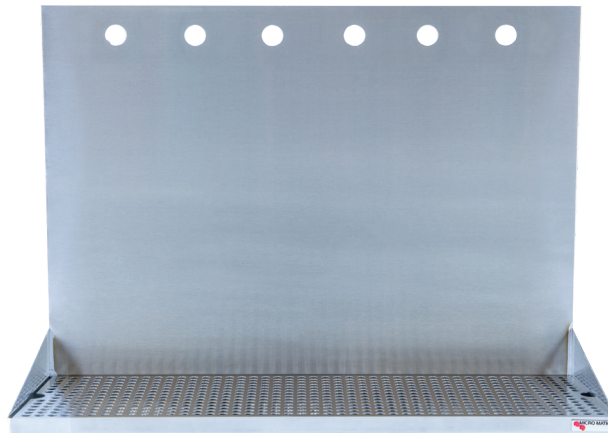


- Imagine the draft tower possibilities to match a theme or décor.
- Design and build a custom tower around Kool-Rite™.
- Kool-Rite™ technology with patented cooling blocks and leak proof shanks.
- All stainless steel contact with the beer for the ultimate in draft purity.
- 304 Faucets included.



1740

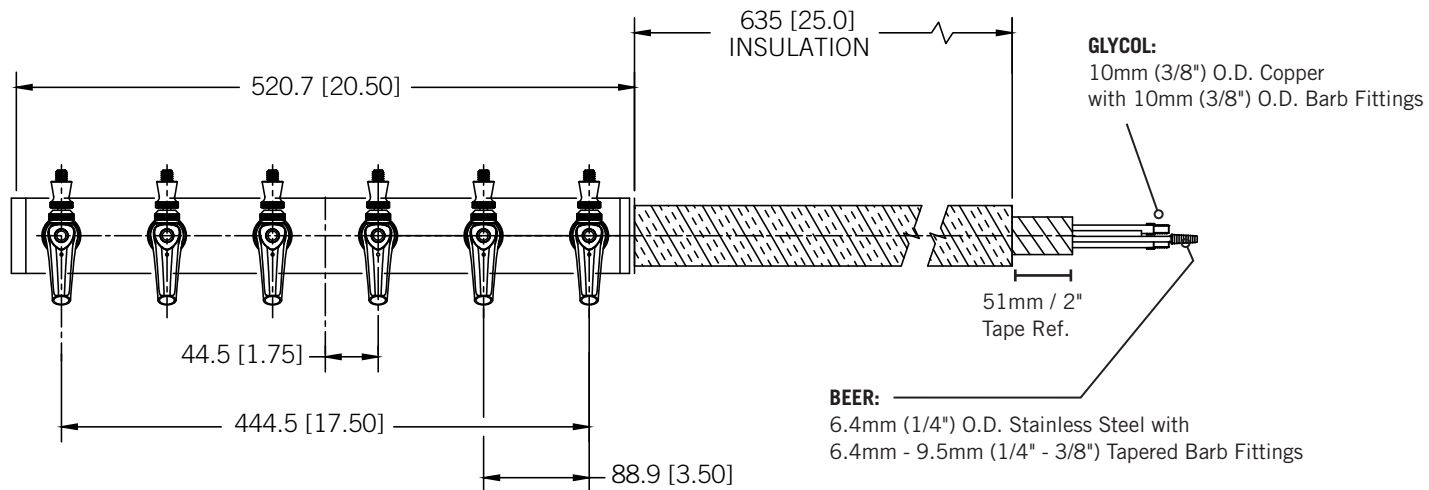


DP-332ELD-6

Matching Drip Tray

Part No.	Faucets	Shank Length	Dispense System	Shipping Weight
□ 1740-L	6	Long	Kool-Rite™ (Glycol)	TBD
				TBD
□ 1740-S	6	Short	Kool-Rite™ (Glycol)	TBD
				TBD

Dimensions



Toll-Free: 1-866-327-4159
www.micromatic.com

West

19791 Bahama St.
Northridge, CA 91324
Tel. (818) 701-9765
Fax. (818) 701-9844

Central

10726 North Second St.
Machesney Park, IL 61115
Tel. (815) 968-7557
Fax. (815) 968-0363

Southeast

15111 Dispense Ln.
Brooksville, FL 34604
Tel. (352) 799-6331
Fax. (352) 796-2429

Northeast

4601 Saucon Creek Rd.
Center Valley, PA 18034
Tel. (610) 625-4464
Fax. (610) 625-4466