

AMERICANO - NITRO COLD BREW COFFEE



PORTABLE DISPENSER 25"

- Dispense from a Beverage Tank™ or keg of cold brew coffee.
- Choice of cold brew still or cold brew nitro.
- Integrated Nitrogen Infusion Module (NIM), requires separate nitrogen source.
- Portable, compact refrigerator.



MDD23-E-AMER
Black Vinyl



*Shown with additional
Beverage Tank™, MININIM and
tapping equipment*



Listed by Edison Testing Laboratories.
Conforms to UL & NSF Standards.

www.micromatic.com • 1 (866) 327-4159

PORTABLE DISPENSER 25"

Job Number: _____ Location: _____

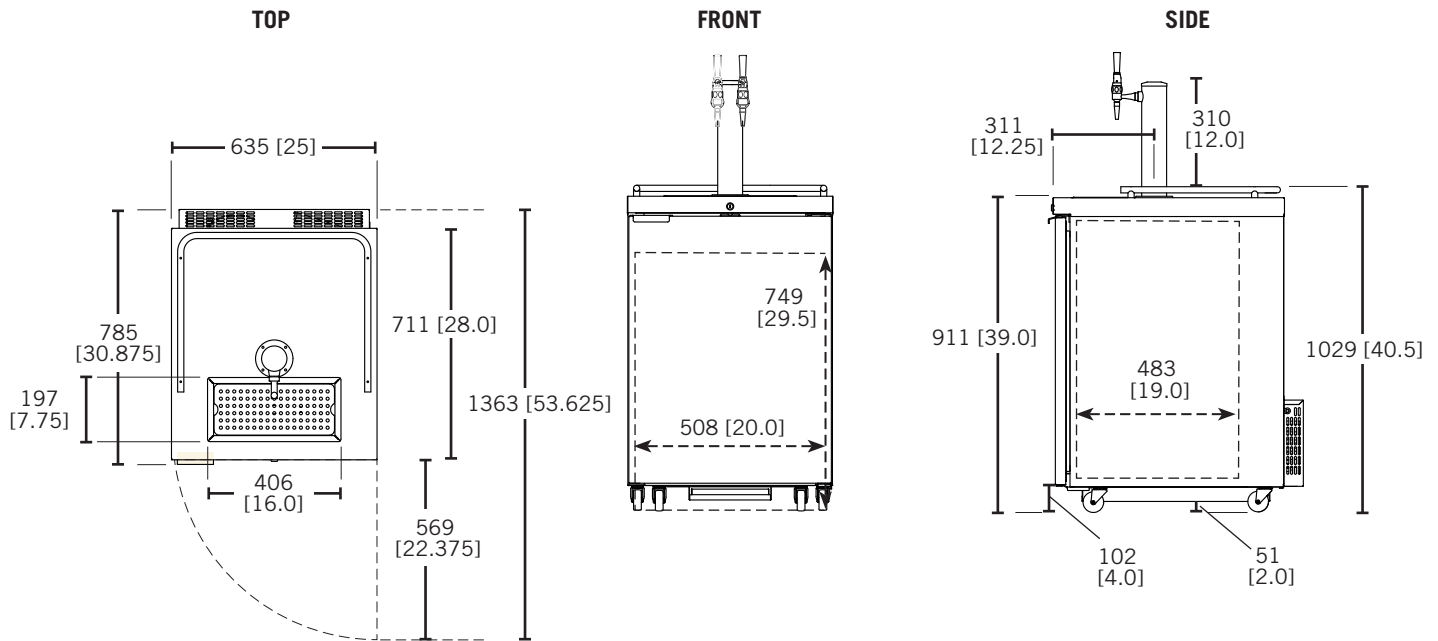
Part No.	Description	Beverage Package	Finish	Shipping Weight
<input type="checkbox"/> MDD23-E-AMER	25" Americano, portable dispenser	Keg, Corny Keg, Beverage Tank™	Black	169 lbs 77 kg

Operating Performance

Capacity of 1/6 Kegs	2	Running Amps	2.5
Cubic Feet (liters)	8.4 (239)	Voltage	115/60/1
Number of Draft Towers	1	Plug Type	NEMA-5-15P
Number of Faucets	2	Cord Length	8'
Tower Approval	NSF 18	Refrigerant	R-134a
Approval	ETL Listed	Charge oz	5.64
Condenser HP	1/6	Thermostat	Analog, dial adjustment

Exterior	18 gauge stainless steel top, 22 gauge solid doors, 24 gauge steel front, sides and back. Black Vinyl: Front, sides.
Interior	20 gauge stainless steel floor, reinforced frame, 24 gauge galvanized walls
Ventilation	Back ventilated
Plumbing	Drain Tray: 3/4" NPT drain includes hose and drain bottle. Automatic condensate evaporator, no drain connection required. Evaporator condensate has been plumbed to a condensate pan located in the compressor housing.
Insulation	Foamed-in-place using high density, CFC-free polyurethane; 2" top, walls and floor.
Castors	Standard

Dimensions




Toll-Free: 1-866-327-4159
www.micromatic.com

West
 19791 Bahama St.
 Northridge, CA 91324
 Tel. (818) 701-9765
 Fax. (818) 701-9844

Central
 10726 North Second St.
 Machesney Park, IL 61115
 Tel. (815) 968-7557
 Fax. (815) 968-0363

Southeast
 15111 Dispense Ln.
 Brooksville, FL 34604
 Tel. (352) 799-6331
 Fax. (352) 796-2429

Northeast
 4601 Saucon Creek Rd.
 Center Valley, PA 18034
 Tel. (610) 625-4464
 Fax. (610) 625-4466