

- A distinctive tower with crisp lines defining its shape.
- All stainless steel product contact.
- Available in either glycol cooled or air cooled.



**E-G5-1-C-A**

Chrome (Air Cooled)

**E-G5-1-C-G**

Chrome (Glycol Cooled)

Medallion Version Available: **E-G5-1-C-G-M\***

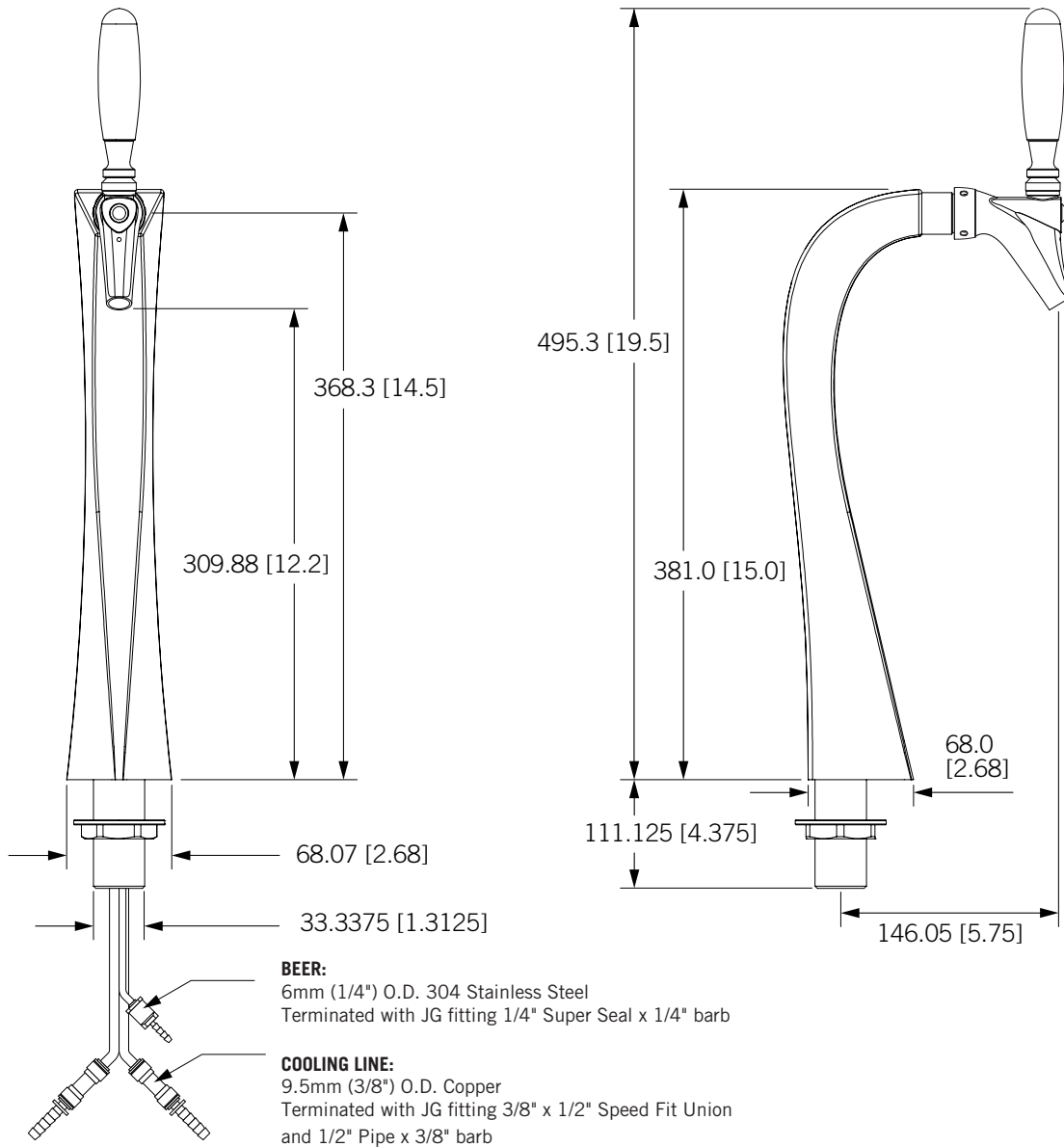
Faucet knobs not included.



Part No.	Faucets	Finish	Dispense System	Shipping Weight
<input type="checkbox"/> E-G5-1-C-A	1	Chrome	Air Cooled	TBD
<input type="checkbox"/> E-G5-1-C-G	1	Chrome	Glycol Cooled	TBD

Medallion Version Available: E-G5-1-C-G-M\*

Dimensions



 **MICRO MATIC**  
Toll-Free: 1-866-327-4159  
[www.micromatic.com](http://www.micromatic.com)

**West**  
19791 Bahama St.  
Northridge, CA 91324  
Tel. (818) 701-9765  
Fax. (818) 701-9844

**Central**  
10726 North Second St.  
Machesney Park, IL 61115  
Tel. (815) 968-7557  
Fax. (815) 968-0363

**Southeast**  
15111 Dispense Ln.  
Brooksville, FL 34604  
Tel. (352) 799-6331  
Fax. (352) 796-2429

**Northeast**  
4601 Saucon Creek Rd.  
Center Valley, PA 18034  
Tel. (610) 625-4464  
Fax. (610) 625-4466