



DIRECT DRAW DISPENSER

PRO-LINE™ E-SERIES™ 17"

- Smallest kegerator footprint in the industry.
- Holds 2 - 1/6th kegs.
- Rugged keg slide - extends floor life.
- Commercial grade construction - built to last.
- Analog thermostat.



MDD17-E

Black



Listed by Edison Testing Laboratories.
Conforms to UL & NSF Standards.

www.micromatic.com • 1 (866) 327-4159

PRO-LINE™ E-SERIES™ 17"

Job Number: _____ Location: _____

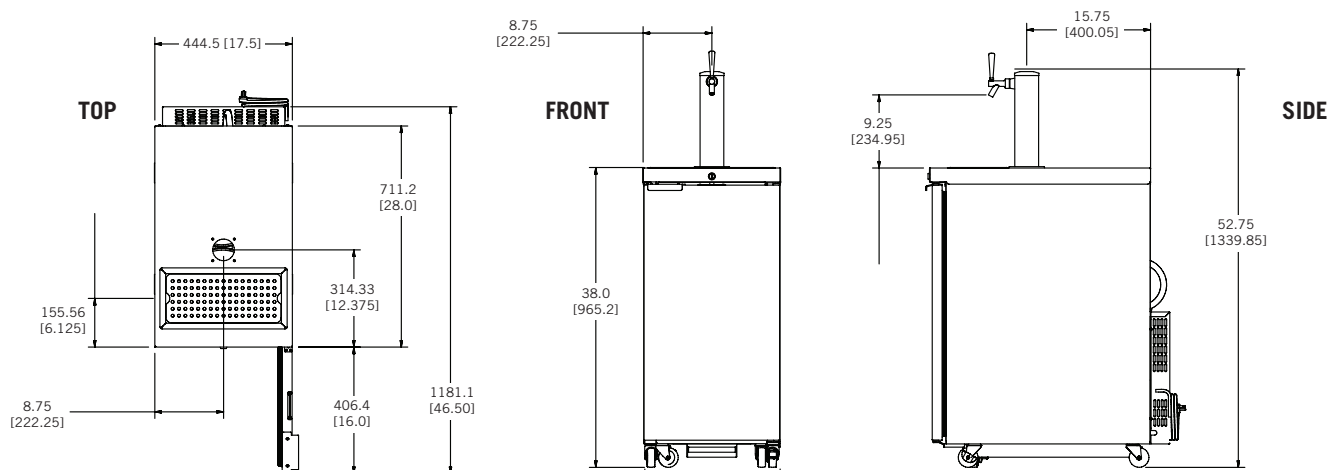
Part No.	Finish	Doors	Faucet	Shipping Weight
<input type="checkbox"/> MDD17-E	Black	1	1	63 kg
				138 lbs

Operating Performance

Capacity of 1/6th Kegs	2	Running Amps	2.5
Cubic Feet (liters)	TBD	Voltage	115/60/1
Draft Tower	1	Plug Type	NEMA-5-15P
Faucet	1	Cord Length	8'
Approval	ETL Listed	Refrigerant	R-134a
Condenser HP	1/6	Charge oz	5.3
BTUs	850	Thermostat	Analog, dial adjustment

Exterior	18 gauge stainless steel top, 22 gauge solid doors, 24 gauge steel front, sides and back. Black Vinyl: Front, sides.
Interior	20 gauge stainless steel floor, reinforced frame, 24 gauge galvanized walls
Ventilation	Back ventilated
Plumbing	Drain Tray: 3/4" NPT drain includes hose and drain bottle. Automatic condensate evaporator, no drain connection required. Evaporator condensate has been plumbed to a condensate pan located in the compressor housing.
Insulation	Foamed-in-place using high density, CFC-free polyurethane; 2" top, walls and floor.
Casters	Standard

Dimensions



Toll-Free: 1-866-327-4159
www.micromatic.com

West

19791 Bahama St.
 Northridge, CA 91324
 Tel. (818) 701-9765
 Fax. (818) 701-9844

Central

10726 North Second St.
 Machesney Park, IL 61115
 Tel. (815) 968-7557
 Fax. (815) 968-0363

Southeast

15111 Dispense Ln.
 Brooksville, FL 34604
 Tel. (352) 799-6331
 Fax. (352) 796-2429

Northeast

4601 Saucon Creek Rd.
 Center Valley, PA 18034
 Tel. (610) 625-4464
 Fax. (610) 625-4466