



# POWER PACK - WATER COOLED

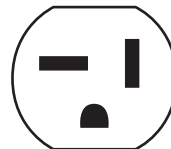
PREMIUM - 4 PUMP - 11,500 BTUs

- Engineered by beer-industry experts for performance and value.
- Digital thermostat for accurate glycol bath temperature.
- Expanded urethane foam insulates cabinet to maintain glycol temperature and minimize condensation.
- Anti-vibration pads reduce motor noise.
- Exterior sight glass to verify glycol bath level.
- Rugged stainless steel cabinet.



## **MMPP4307-PKG-4-WC**

Water Cooled:  
Designed for spaces with limited air circulation or high ambient temperature.



6-20P

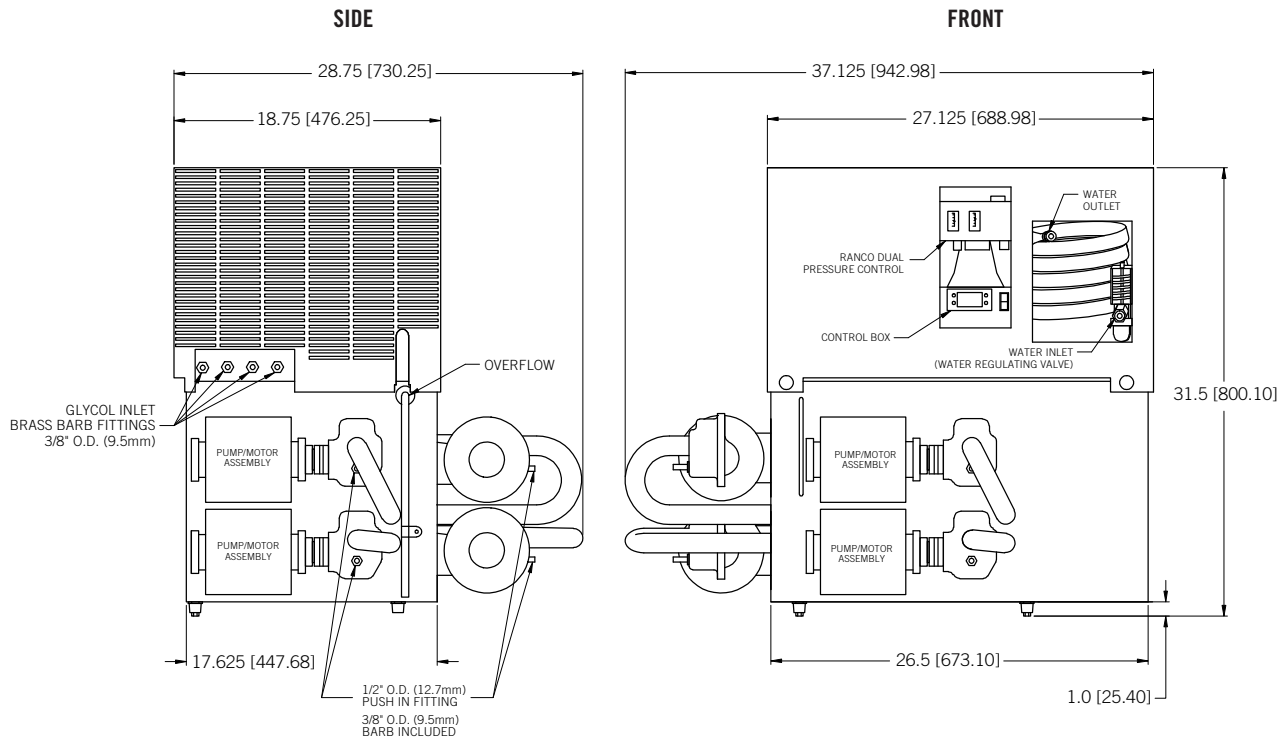


Part No.	Description	Shipping Weight
<input type="checkbox"/> MMPP4307-PKG-4-WC	Water cooled power pack, 4 pump and motor	134 kg 295 lbs

**Operating Performance**

<b>Compressor</b>	1 1/2 HP	<b>Pump Motor</b>	1/3 HP
<b>BTU per hour</b>	11,500	<b>Pump Type</b>	Rotary Vane
<b>Plug Type (NEMA #)</b>	6-20P	<b>Push In Connector</b>	12.7mm (1/2") O.D.
<b>Voltage</b>	208/230	<b>Water Inlet &amp; Outlet Fitting</b>	Female 3/8" NPT
<b>Running</b>	14.5A	<b>Minimum Water Pipe Size</b>	3/8"
<b>Refrigerant</b>	R-404A	<b>Inlet Water Pressure</b>	Minimum 40 psi / Maximum 120 psi
<b>Charge</b>	1.04 kg (37 oz)	<b>Water Usage</b>	.98 GPM. Water is only used when the temperature of the condenser rises high enough to open the cooling inlet valve. This is approximately 40% of the operating time depending on ambient temperature and usage.
<b>Refrigerant Running Pressure</b>	55 (low) 260 (high)		
<b>Bath Capacity</b>	43.5 litre (11.5 gallons)		
<b>Condenser Inlet Water Temperature</b>	Minimum 45° F / Maximum 80° F		

**Dimensions**



 **MICRO MATIC**  
 Toll-Free: 1-866-327-4159  
[www.micromatic.com](http://www.micromatic.com)

**West**  
 19791 Bahama St.  
 Northridge, CA 91324  
 Tel. (818) 701-9765  
 Fax. (818) 701-9844

**Central**  
 10726 North Second St.  
 Machesney Park, IL 61115  
 Tel. (815) 968-7557  
 Fax. (815) 968-0363

**Southeast**  
 15111 Dispense Ln.  
 Brooksville, FL 34604  
 Tel. (352) 799-6331  
 Fax. (352) 796-2429

**Northeast**  
 4601 Saucon Creek Rd.  
 Center Valley, PA 18034  
 Tel. (610) 625-4464  
 Fax. (610) 625-4466