



JOETAP® BARISTA - NITRO COLD BREW COFFEE

COUNTERTOP/NITROGEN GENERATOR DISPENSER

- Compact size for countertop placement
- Connects to filtered water source, plugs into standard wall socket
- Easy to change bag in box (BiB) coffee concentrates
- Integrated, on-demand nitrogen generator



JT-CTMG

Stainless Steel
Nitrogen Generator Built-In



Listed by Edison Testing Laboratories.
Conforms to UL & NSF Standards.



www.micromatic.com • 1 (866) 327-4159

COUNTERTOP DISPENSER

Job Number: _____ Location: _____

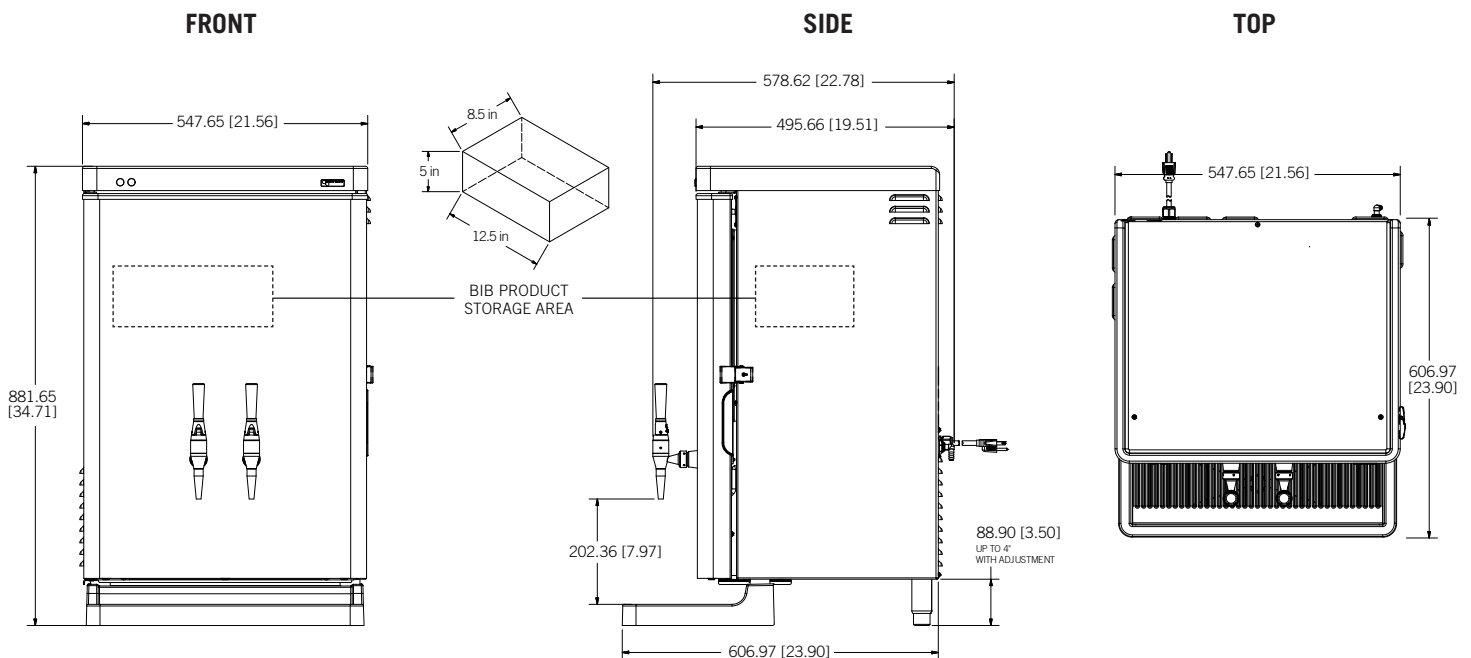
Part No.	Description	Beverage Package	Shipping Weight
<input type="checkbox"/> JT-CTMG	JoeTap® Barista, countertop dispenser and nitrogen package	Bag in Box (BiB)	169 lbs 77 kg

Operating Performance

Compressor	1/6 HP	Running Amps	5.0A (0.5A for Nitrogen Generator / 4.5A for JoeTap® Countertop System)
BTU per hour	1135	Voltage	115/60/1
Condenser HP	1/6	Plug Type	NEMA-5-15P
Ambient Temperature Range	45-100° F	Cord Length	6'
Inlet Water Temperature	45-90° F	Refrigerant	R-134a
Ice Bath Capacity	2 GAL	Charge	5.5 oz / 160g
Approval	ETL Listed. Conforms to UL 471 & NSF 18. Certified to CSA C22.2 No.120	BIB Fitting	Scholle 1900 Connector (included)
		BIB Capacity	1 Gallon

Air Clearance around unit	6" (153mm)
Plumbing	20-50 psi (138-621 kPa) Machine supplied with 3/8" male barb fitting Requires floor drain
Electrical	Requires 2-wire plus ground at 120V, single phase, 60 Hz, 15 amp min. dedicated service
Warranty	1 year parts and labor warranty. All warranty work is handled through JoeTap® certified service agents.

Dimensions



Toll-Free: 1-866-327-4159
www.micromatic.com

West

19791 Bahama St.
Northridge, CA 91324
Tel. (818) 701-9765
Fax. (818) 701-9844

Central

10726 North Second St.
Machesney Park, IL 61115
Tel. (815) 968-7557
Fax. (815) 968-0363

Southeast

15111 Dispense Ln.
Brooksville, FL 34604
Tel. (352) 799-6331
Fax. (352) 796-2429

Northeast

4601 Saucon Creek Rd.
Center Valley, PA 18034
Tel. (610) 625-4464
Fax. (610) 625-4466