

DUAL TEMPERATURE WINE DISPENSER



PRO-LINE™ WINE E-SERIES™ 59" - 8 KEG / 4 FAUCET

- Designed by wine-industry experts for performance and value
- Two dedicated temperature zones for optimal wine dispensing
- Two Finesse wine fonts with 2 faucets each, drip trays included
- Commercial grade construction - built to last



MDD58W-E-A

Black



Dual-Temperature: Built In Digital Thermostats



Listed by Edison Testing Laboratories.
Conforms to UL & NSF Standards.



Wine Certified

Tap handles not included
Tapping hardware not included

www.micromatic.com • 1 (866) 327-4159

PRO-LINE™ WINE E-SERIES™ 59" - 8 KEG

Job Number: _____ Location: _____

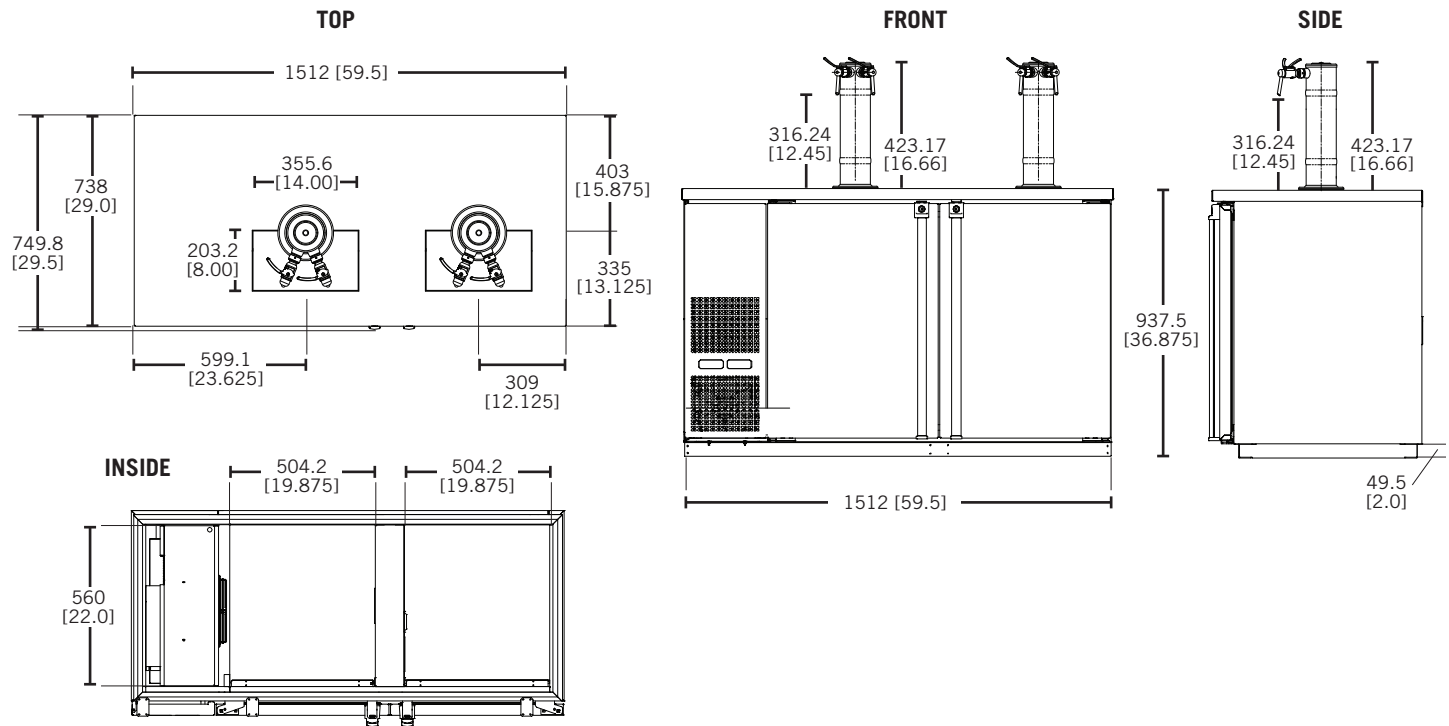
Part No.	Finish	Faucets	Doors	Shipping Weight
 MDD58W-E-A	Black	4	2	145 kg
				318 lb

Operating Performance

Capacity of 20 Liter Kegs	8 (4 per zone)	Running Amps	6.5
Cubic Feet (liters)	TBD	Condenser HP	1/3
Holes for Wine Fonts	2	Voltage	115/60/1
Hole Diameter	3"	Plug Type	NEMA-5-15P
Color-coded Digital Thermostats	2 (Blue LED-Whites & Red LED-Reds)	Cord Length	8'
Temperature Range - Whites	42-48° F (5.5 - 8.8C)	Refrigerant	R-134a
Temperature Tange - Reds	55-65° F (12.7 - 18.3C)	Charge oz	9.8
Approval	ETL Listed, Energy Star		

Exterior	18 gauge stainless steel top, 22 gauge solid doors, 24 gauge steel front, sides and back
Interior	20 gauge stainless steel floor and walls
Ventilation	Front ventilated
Plumbing	Automatic condensate evaporator, no drain connection required. Evaporator condensate has been plumbed to a condensate pan located in the compressor housing
Insulation	Foamed-in-place using high density, CFC-free polyurethane; 2" top, walls and floor
Accessories	Castors or 6" fixed legs

Dimensions



 **MICRO MATIC**
 Toll-Free: 1-866-327-4159
www.micromatic.com

West
 19791 Bahama St.
 Northridge, CA 91324
 Tel. (818) 701-9765
 Fax. (818) 701-9844

Central
 10726 North Second St.
 Machesney Park, IL 61115
 Tel. (815) 968-7557
 Fax. (815) 968-0363

Southeast
 2386 Simon Ct.
 Brooksville, FL 34604
 Tel. (352) 799-6331
 Fax. (352) 796-2429

Northeast
 4601 Saucon Creek Rd.
 Center Valley, PA 18034
 Tel. (610) 625-4464
 Fax. (610) 625-4466