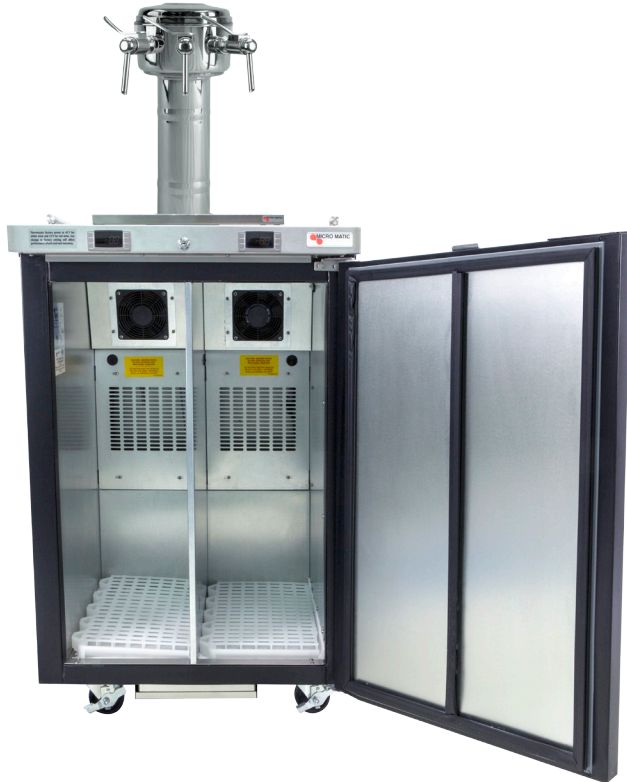




DUAL-TEMPERATURE WINE DISPENSER

PRO-LINE™ WINE E-SERIES™ 25" - 4 KEG / 3 FAUCET

- Designed by wine-industry experts for performance and value
- Two dedicated temperature zones for optimal wine dispensing
- Sommelier wine font with 3 faucets
- Commercial grade construction - built to last



Dual-Temperature: Built In Digital Thermostats

MDD23W-E-D

Black



Listed by Edison Testing Laboratories.
Conforms to UL & NSF Standards.



Wine Certified

Tap handles not included
Tapping hardware not included

www.micromatic.com • 1 (866) 327-4159

PRO-LINE™ WINE E-SERIES™ 25" - 4 KEG

Job Number: _____ Location: _____

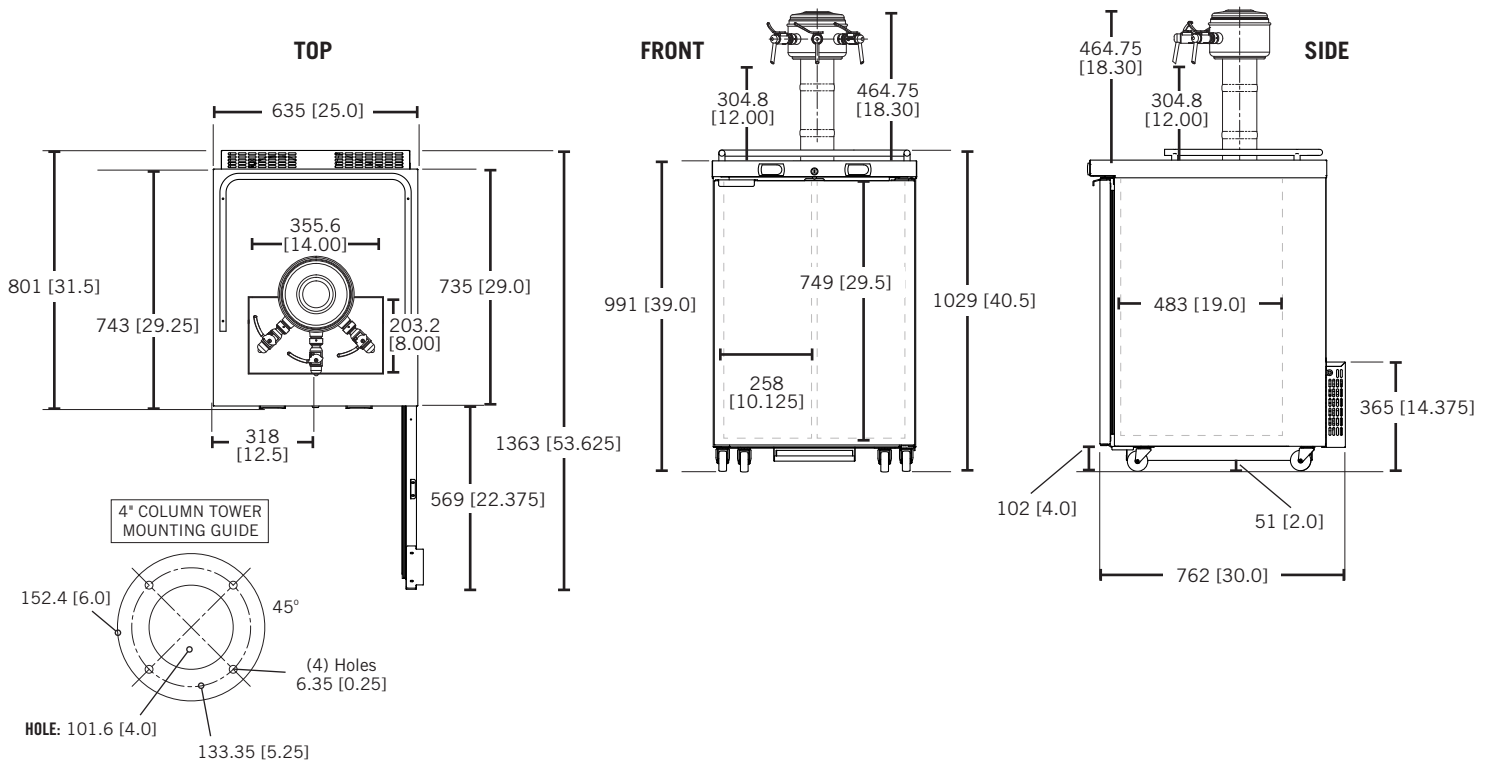
| Part No. | Finish | Faucets | Doors | Shipping Weight |
|----------------------------------------------------------------------------------------------|--------|---------|-------|-----------------|
|  MDD23W-E-D | Black | 3 | 1 | 78 kg |
| | | | | 172 lbs |

Operating Performance

| | | | |
|---------------------------------|------------------------------------|--------------|------------|
| Capacity of 20 Liter Kegs | 4 (2 per zone) | Condenser HP | 1/6 |
| Color-coded Digital Thermostats | 2 (Blue LED-Whites & Red LED-Reds) | Voltage | 115/60/1 |
| Temperature Range - Whites | 42-48° F (5.5 - 8.8C) | Plug Type | NEMA-5-15P |
| Temperature Tange - Reds | 55-65° F (12.7 - 18.3C) | Cord Length | 8' |
| Approval | ETL Listed | Refrigerant | R-134a |
| Running Amps | 2.5 | Charge oz | 5.64 |

| | |
|-------------|--------------------------------------------------------------------------------------------------------------------------------------------------------------|
| Exterior | 18 gauge stainless steel top, 22 gauge solid doors, 24 gauge steel front, sides and back. |
| Interior | 20 gauge stainless steel floor, reinforced frame, 24 gauge galvanized walls. |
| Ventilation | Back ventilated. |
| Plumbing | Automatic condensate evaporator, no drain connection required. Evaporator condensate has been plumbed to a condensate pan located in the compressor housing. |
| Insulation | Foamed-in-place using high density, CFC-free polyurethane; 1-1/2" top, walls and floor. |
| Mobility | Castors are standard and not removable. |

Dimensions



 **MICRO MATIC**
 Toll-Free: 1-866-327-4159
www.micromatic.com

West
 19791 Bahama St.
 Northridge, CA 91324
 Tel. (818) 701-9765
 Fax. (818) 701-9844

Central
 10726 North Second St.
 Machesney Park, IL 61115
 Tel. (815) 968-7557
 Fax. (815) 968-0363

Southeast
 2386 Simon Ct.
 Brooksville, FL 34604
 Tel. (352) 799-6331
 Fax. (352) 796-2429

Northeast
 4601 Saucon Creek Rd.
 Center Valley, PA 18034
 Tel. (610) 625-4464
 Fax. (610) 625-4466