



# DIRECT DRAW DISPENSER

PRO-LINE™ E-SERIES™ 59" - 3 KEG

- Designed by beer-industry experts for performance and value.
- Front breathing for cooling and exhaust.
- Integrated glass rinser: condition the glass before pouring.
- Full-size drain tray – larger work area and improved hygiene.



**MDD58-E**  
Black



Integrated water glass rinser



*Adjustable Digital Thermostat!*  
*Easy to read exterior mounted*



**MDD58S-E**  
Stainless Steel



Listed by Edison Testing Laboratories.  
Conforms to UL & NSF Standards.

[www.micromatic.com](http://www.micromatic.com) • 1 (866) 327-4159

PRO-LINE™ E-SERIES™ 59" - 3 KEG

Job Number: \_\_\_\_\_ Location: \_\_\_\_\_

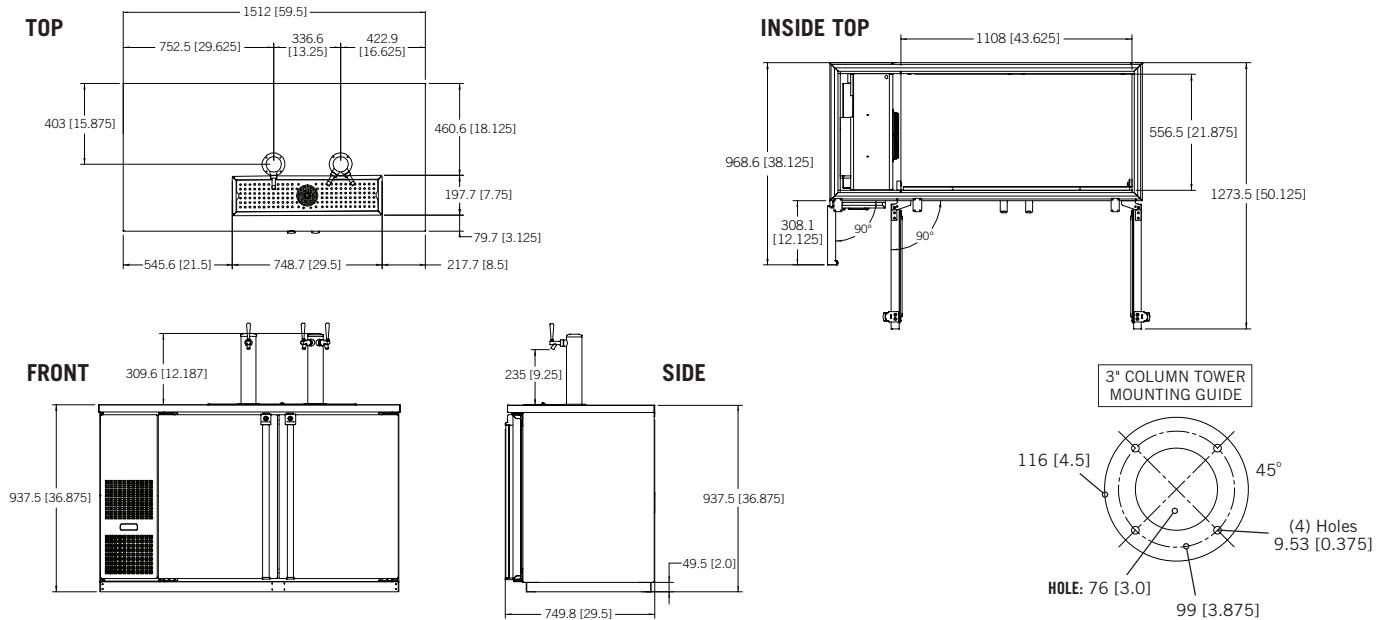
| Part No.   | Finish                           | Doors | Shipping Weight |
|------------|----------------------------------|-------|-----------------|
| ☐ MDD58-E  | Black with Solid Doors           | 2     | 144 kg          |
|            |                                  |       | 318 lbs         |
| ☐ MDD58S-E | Stainless Steel with Solid Doors | 2     | 144 kg          |
|            |                                  |       | 318 lbs         |

**Operating Performance**

|                            |                             |                        |            |
|----------------------------|-----------------------------|------------------------|------------|
| <b>Keg Capacity</b>        | 2 - 1/2 Kegs & 1 - 1/4 Slim | <b>Running Amps</b>    | 6.5        |
| <b>Cubic Feet (liters)</b> | 23.7 (670)                  | <b>Voltage</b>         | 115/60/1   |
| <b>Draft Towers</b>        | 2                           | <b>Plug Type</b>       | NEMA-5-15P |
| <b>Faucets</b>             | 3                           | <b>Cord Length</b>     | 8'         |
| <b>Beer Tower Approval</b> | NSF 7.0 & NSF 18            | <b>Refrigerant</b>     | R-134a     |
| <b>Approval</b>            | ETL Listed                  | <b>Charge oz (grs)</b> | 9.8        |
| <b>Condenser HP</b>        | 1/3                         |                        |            |

|                     |   |
|---------------------|---|
| <b>Exterior</b>     | All Models: 18 gauge 201 grade stainless steel (s/s) top, 22 gauge solid doors, 24 gauge steel front, sides and back. Black Models: Front, sides, back and doors black vinyl over steel. S/S Models: Front, sides, back and doors are s/s.                        |
| <b>Interior</b>     | 20 gauge stainless steel floor and walls, rugged false floor, reinforced frame  |
| <b>Ventilation</b>  | Front breathing for cooling and exhaust   |
| <b>Plumbing</b>     | Automatic condensate evaporator, no drain connection required. Evaporator condensate has been plumbed to a condensate pan located in the compressor housing.  |
| <b>Glass Rinser</b> | 15-20 psi water connection. It is recommended a licensed plumber connect the glass rinser to the water supply line. Always use an in-line shut-off and water pressure regulator. Micro Matic shall not be held liable for damage caused by improper installation. |
| <b>Insulation</b>   | Foamed-in-place using high density, CFC-free polyurethane; 2" top, walls and floor  |
| <b>Accessories</b>  | Casters or 6" fixed legs  |

**Dimensions**



 **MICRO MATIC**  
 Toll-Free: 1-866-327-4159  
[www.micromatic.com](http://www.micromatic.com)

**West**  
 19791 Bahama St.  
 Northridge, CA 91324  
 Tel. (818) 701-9765  
 Fax. (818) 701-9844

**Central**  
 10726 North Second St.  
 Machesney Park, IL 61115  
 Tel. (815) 968-7557  
 Fax. (815) 968-0363

**Southeast**  
 15111 Dispense Ln.  
 Brooksville, FL 34604  
 Tel. (352) 799-6331  
 Fax. (352) 796-2429

**Northeast**  
 4601 Saucon Creek Rd.  
 Center Valley, PA 18034  
 Tel. (610) 625-4464  
 Fax. (610) 625-4466