



- Designed by beer-industry experts for performance and value
- Front breathing for cooling and exhaust



MBB68-E
Black



MBB68G-E
Black with Glass Doors



MBB68S-E
Stainless Steel



MBB68GS-E
Stainless Steel
with Glass Doors



*Adjustable Digital Thermostat!
Easy to read exterior mounted*



Listed by Edison Testing Laboratories.
Conforms to UL & NSF Standards.



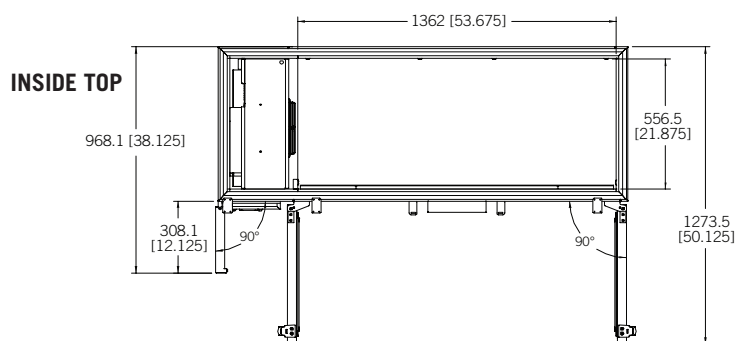
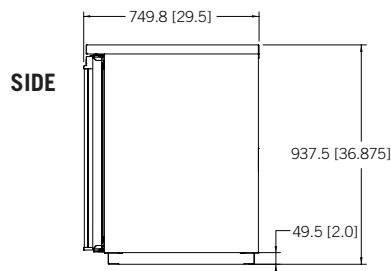
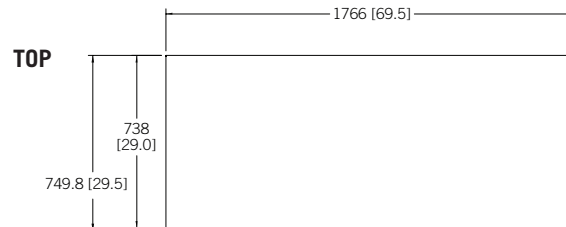
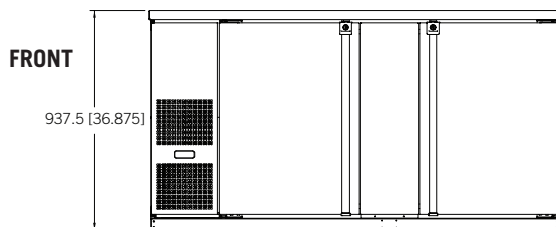
Part No.	Door Type	Door Type	Finish	Doors	Shipping Weight
<input type="checkbox"/> MBB68-E	Solid	MBB68G-E	Glass	Black	2 163 kg 359 lb
<input type="checkbox"/> MBB68S-E	Solid	MBB68GS-E	Glass	Stainless Steel	2 163 kg 359 lb

Operating Performance

Keg Capacity of 1/2 Kegs	3	Running Amps	6.5
Cubic Feet (liters)	28 (793)	Voltage	115/60/1
Shelves, Flat - Included	2	Plug Type	NEMA-5-15P
Shelves, Dividers - Included	2	Cord Length	8'
Cans 12 oz (355ml)	852	Refrigerant	R-134a
Approval	ETL Listed, Energy Star	Charge oz	9.8
Condenser HP	1/3		

Exterior	All Models: 18 gauge 201 grade stainless steel (s/s) top, 22 gauge solid doors, 24 gauge steel front, sides and back. Black Models: Front, sides, back and doors black vinyl over steel. S/S Models: Front, sides, back and doors are s/s.
Interior	20 gauge stainless steel floor and walls, rugged false floor, reinforced frame
Ventilation	Front breathing for cooling and exhaust
Plumbing	Automatic condensate evaporator, no drain connection required. Evaporator condensate has been plumbed to a condensate pan located in the compressor housing
Insulation	Foamed-in-place using high density, CFC-free polyurethane; 2" top, walls and floor
Accessories	Castors or 6" fixed legs

Dimensions



Toll-Free: 1-866-327-4159
www.micromatic.com

West

19791 Bahama St.
 Northridge, CA 91324
 Tel. (818) 701-9765
 Fax. (818) 701-9844

Central

10726 North Second St.
 Machesney Park, IL 61115
 Tel. (815) 968-7557
 Fax. (815) 968-0363

Southeast

2386 Simon Ct.
 Brooksville, FL 34604
 Tel. (352) 799-6331
 Fax. (352) 796-2429

Northeast

4601 Saucon Creek Rd.
 Center Valley, PA 18034
 Tel. (610) 625-4464
 Fax. (610) 625-4466