



## PRO-LINE™ E-SERIES™ 80" - 4 KEG

- Designed by beer-industry experts for performance and value.
- Front breathing for cooling and exhaust.



**MBB78-E**  
Black



**MBB78S-E**  
Stainless Steel



**MBB78G-E**  
Black with Glass Doors



**MBB78GS-E**  
Stainless Steel with Glass Doors



*Adjustable Digital Thermostat!  
Easy to read exterior mounted*



Listed by Edison Testing Laboratories.  
Conforms to UL & NSF Standards.

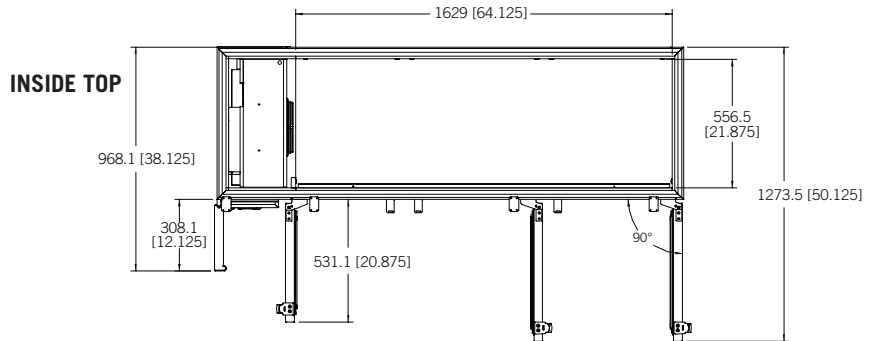
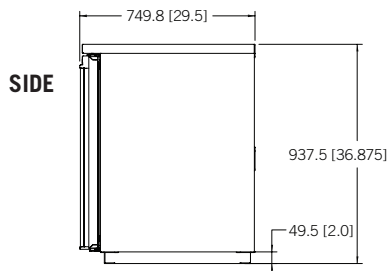
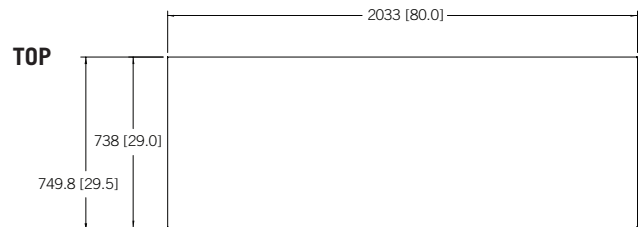
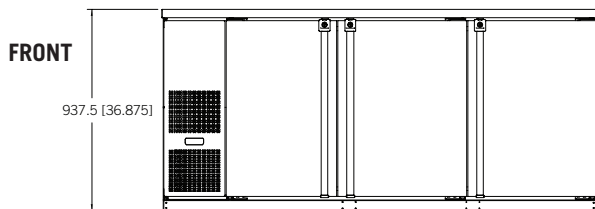
| Part No.                          | Door Type | Door Type                          | Finish | Doors           | Shipping Weight |                   |
|-----------------------------------|-----------|------------------------------------|--------|-----------------|-----------------|-------------------|
| <input type="checkbox"/> MBB78-E  | Solid     | <input type="checkbox"/> MBB78G-E  | Glass  | Black           | 3               | 171 kg<br>377 lbs |
| <input type="checkbox"/> MBB78S-E | Solid     | <input type="checkbox"/> MBB78GS-E | Glass  | Stainless Steel | 3               | 171 kg<br>377 lbs |

**Operating Performance**

|                                     |            |                     |            |
|-------------------------------------|------------|---------------------|------------|
| <b>Keg Capacity of 1/2 Kegs</b>     | 4          | <b>Running Amps</b> | 6.5        |
| <b>Cubic Feet (liters)</b>          | 30.8 (872) | <b>Voltage</b>      | 115/60/1   |
| <b>Shelves, Flat - Included</b>     | 2          | <b>Plug Type</b>    | NEMA-5-15P |
| <b>Shelves, Dividers - Included</b> | 4          | <b>Cord Length</b>  | 8'         |
| <b>Cans 12 oz (355ml)</b>           | 1092       | <b>Refrigerant</b>  | R-134a     |
| <b>Approval</b>                     | ETL Listed | <b>Charge oz</b>    | 9.8        |
| <b>Condenser HP</b>                 | 1/3        |                     |            |

|                    |  |
|--------------------|--|
| <b>Exterior</b>    | All Models: 18 gauge 201 grade stainless steel (s/s) top, 22 gauge solid doors, 24 gauge steel front, sides and back. Black Models: Front, sides, back and doors black vinyl over steel. S/S Models: Front, sides, back and doors are s/s. |
| <b>Interior</b>    | 20 gauge stainless steel floor and walls, rugged false floor, reinforced frame   |
| <b>Ventilation</b> | Front breathing for cooling and exhaust  |
| <b>Plumbing</b>    | Automatic condensate evaporator, no drain connection required. Evaporator condensate has been plumbed to a condensate pan located in the compressor housing  |
| <b>Insulation</b>  | Foamed-in-place using high density, CFC-free polyurethane; 2" top, walls and floor   |
| <b>Accessories</b> | Casters or 6" fixed legs   |

**Dimensions**



  
Toll-Free: 1-866-327-4159  
[www.micromatic.com](http://www.micromatic.com)

**West**  
19791 Bahama St.  
Northridge, CA 91324  
Tel. (818) 701-9765  
Fax. (818) 701-9844

**Central**  
10726 North Second St.  
Machesney Park, IL 61115  
Tel. (815) 968-7557  
Fax. (815) 968-0363

**Southeast**  
15111 Dispense Ln.  
Brooksville, FL 34604  
Tel. (352) 799-6331  
Fax. (352) 796-2429

**Northeast**  
4601 Saucon Creek Rd.  
Center Valley, PA 18034  
Tel. (610) 625-4464  
Fax. (610) 625-4466