




# PRO-MAX (FOB DETECTOR)

STAINLESS STEEL

- PRO-MAX FOB (Foam On Beer) Detector is essential for all long draw beer lines.
- Eliminate foam and wasted beer when a keg is emptied.
- Replace the keg, reset the FOB, and beer is flowing again.
- Stainless steel contact with the beer for the ultimate in draft purity.



**PRO-MAX-1**

 Stainless Steel for improved hygiene and durability.

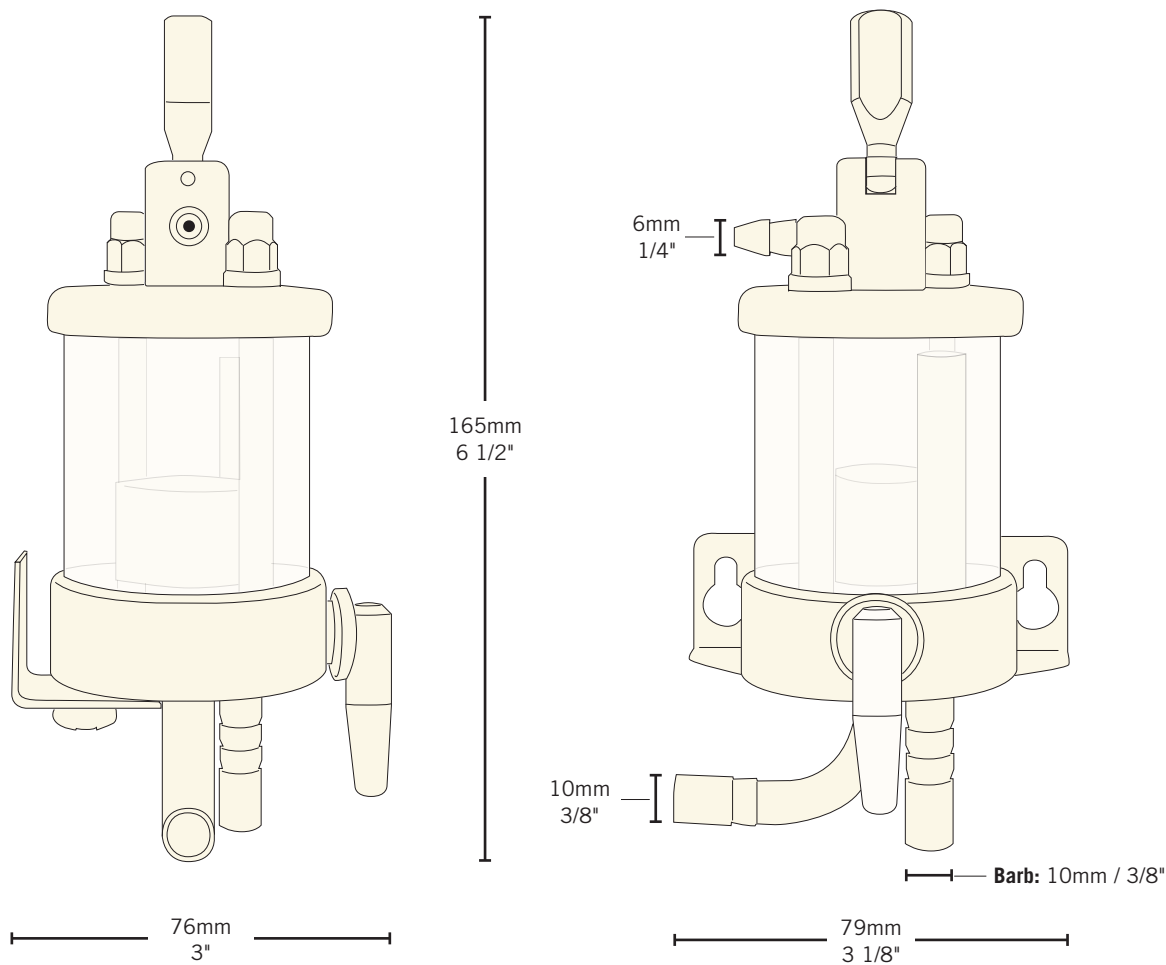
[www.micromatic.com](http://www.micromatic.com) • 1 (866) 327-4159

PRO-MAX-1 STAINLESS STEEL

Job Number: \_\_\_\_\_ Location: \_\_\_\_\_

Part No.	Description	Shipping Weight	Box Dimensions
□ PRO-MAX-1	Stainless Steel	2 kg	356mm L x 203mm W x 102mm H
		3 lbs	14"L x 8"W x 4"H

## Dimensions



Toll-Free: 1-866-327-4159  
[www.micromatic.com](http://www.micromatic.com)

### West

19791 Bahama St.  
 Northridge, CA 91324  
 Tel. (818) 701-9765  
 Fax. (818) 701-9844

### Central

10726 North Second St.  
 Machesney Park, IL 61115  
 Tel. (815) 968-7557  
 Fax. (815) 968-0363

### Southeast

2364 Simon Ct.  
 Brooksville, FL 34604  
 Tel. (352) 799-6331  
 Fax. (352) 796-2429

### Northeast

4601 Saucon Creek Rd.  
 Center Valley, PA 18034  
 Tel. (610) 625-4464  
 Fax. (610) 625-4466