



DIRECT DRAW DISPENSER

PRO-LINE 25" - 1 KEG

- Designed by beer-industry experts for performance and value.
- Rugged keg slide - extends floor life.
- Full-size drain tray - larger work area and improved hygiene.
- Commercial grade construction - built to last.



MDD23
Black



MDD23S
Stainless Steel



Listed by Edison Testing Laboratories.
Conforms to UL & NSF Standards.

www.micromatic.com • 1 (866) 327-4159

PRO-LINE 25" - 1 KEG

Job Number: _____ Location: _____

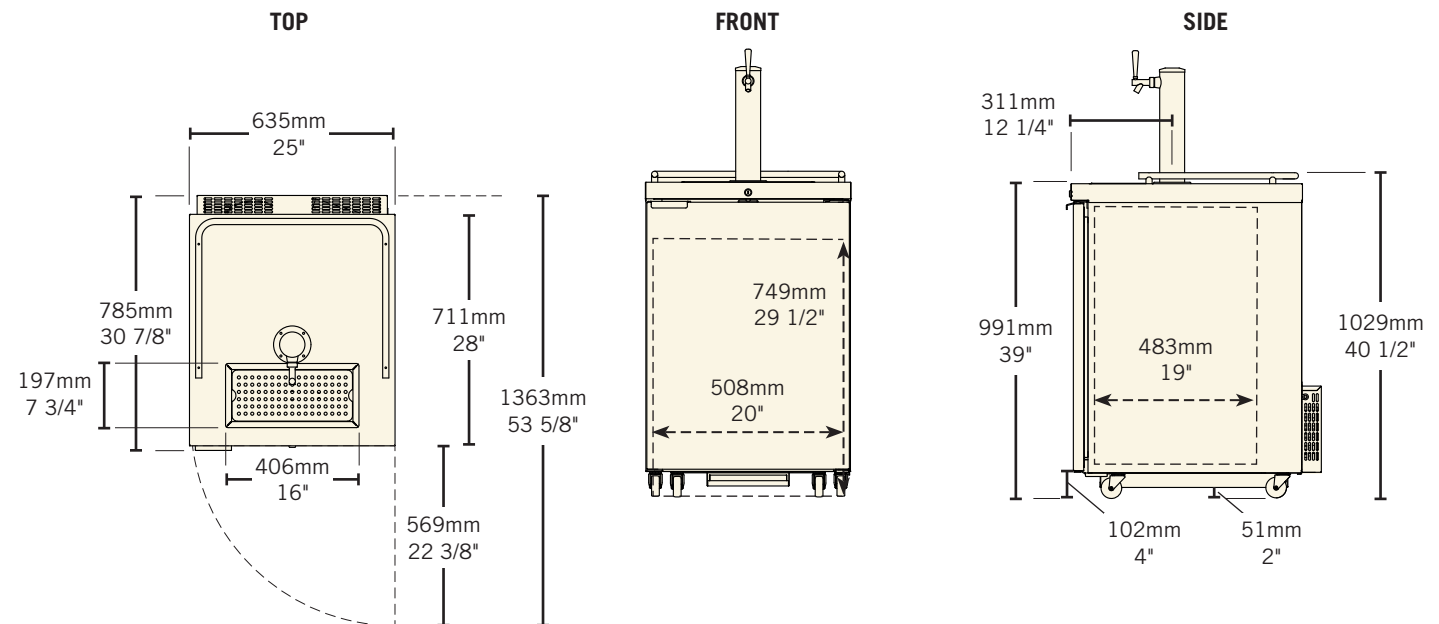
Part No.	Exterior Finish	Doors	Shipping Weight	Box Dimensions
☐ MDD23	Black	1	76 kg	660mm L x 870mm W x 1045mm H
			167 lbs	26"L x 34 1/4"W x 41 1/8"H
☐ MDD23S	Stainless Steel	1	76 kg	660mm L x 870mm W x 1045mm H
			167 lbs	26"L x 34 1/4"W x 41 1/8"H

Operating Performance

Capacity of 1/2 Kegs	1	Running Amps	2.7
Cubic Feet (liters)	8.4 (239)	Voltage	115/60/1
Number of Draft Towers	1	Plug Type	NEMA-5-15P
Number of Faucets	1	Cord Length	8'
Beer Tower Approval	NSF 7.0 and NSF 18	Refrigerant	R-134a
Approval	ETL Listed	Charge oz (grs)	10.5 (300)
Condenser HP	1/6		

Exterior	All Models: 18 gauge stainless steel top, 22 gauge solid doors, 24 gauge steel front, sides and back. Black Vinyl Models: Front, sides. Stainless Steel Models: Front, sides.
Interior	20 gauge stainless steel floor, reinforced frame, 24 gauge galvanized walls.
Ventilation	Back ventilated.
Plumbing	Drain Tray: 3/4" NPT drain includes hose and drain bottle. Automatic condensate evaporator, no drain connection required. Evaporator condensate has been plumbed to a condensate pan located in the compressor housing.
Insulation	Foamed-in-place using high density, CFC-free polyurethane; 1-1/2" top, walls and floor.
Castors	Standard.

Dimensions



Toll-Free: 1-866-327-4159
www.micromatic.com

West

19791 Bahama St.
 Northridge, CA 91324
 Tel. (818) 701-9765
 Fax. (818) 701-9844

Central

10726 North Second St.
 Machesney Park, IL 61115
 Tel. (815) 968-7557
 Fax. (815) 968-0363

Southeast

2364 Simon Ct.
 Brooksville, FL 34604
 Tel. (352) 799-6331
 Fax. (352) 796-2429

Northeast

4601 Saucon Creek Rd.
 Center Valley, PA 18034
 Tel. (610) 625-4464
 Fax. (610) 625-4466