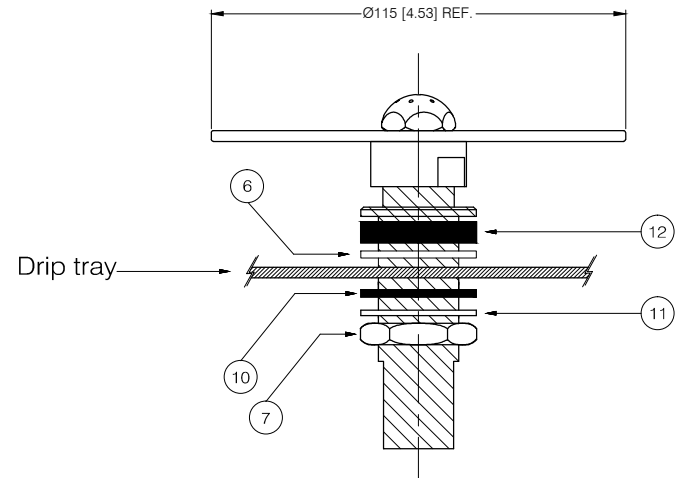


INSTALLATION INSTRUCTIONS



ITEM	QTY	PART NUMBER	DESCRIPTION
1	1	1169	SPRAYER RINSER
2	1	3687	SS GRILL (RINSER), FR
3	1	3718	ADAPTER RINSER (SHORT)
4	1	1210	SPRING RINSER
5	1	1211	SHANK RINSER
6	1	1212	WASHER CLEAR / RINSER
7	1	751-383	BEER SHANK LOCK NUT
8	1	102-167	COLD BLOCK O-RING
9	1	1170	SCREW RINSER SS
10	1	1214	WASHER SOFT / RINSER
11	1	1213	WASHER HARD / RINSER
12	1	3739	SPACER FOR GR-3711

X	X	02
X	X	01
Change Description	Date / Init.	Revision

TOLERANCES LENGTH ± 0.1	DIAMETER ± 0.1	ANGLE ± 1°	RADIUS ± 0.1	GEN. ROUGHNESS X
SURFACE / COLOR X	SPECIFICATION X	GROSS LENGTH/M X	PLOT DATE 130313	NAME: EG
MATERIAL X	SPECIFICATION X	GROSS WEIGHT/KG X	DATE: 130313	SCALE: 1:1
DESCRIPTION RINSER ASSY METALIC FLAT (FR)				DRW NO. / REV GR-3711INSU00 FILE NAME: GR-3711INS.dwg

