

- Sleek column with contemporary styling.
- The draft tower is a marketing tool, not just a bar fixture.
- Exterior finish will provide years of durable service.
- All stainless steel contact with the beer for the ultimate in draft purity.



Stainless Steel
DS-144-PSSKR



PVD
DS-244-PVDKR

Features

Faucet knobs not included.



Tarnish Free
PVD Brass.



Certified
by the National
Sanitation Foundation.



Stainless Steel
beer contact for the pure
taste of fresh draft beer.




The integrated Kool-Rite module provides optimum cooling at the point of dispense. Modular construction makes the installation process as simple as PLUG "N" POUR.

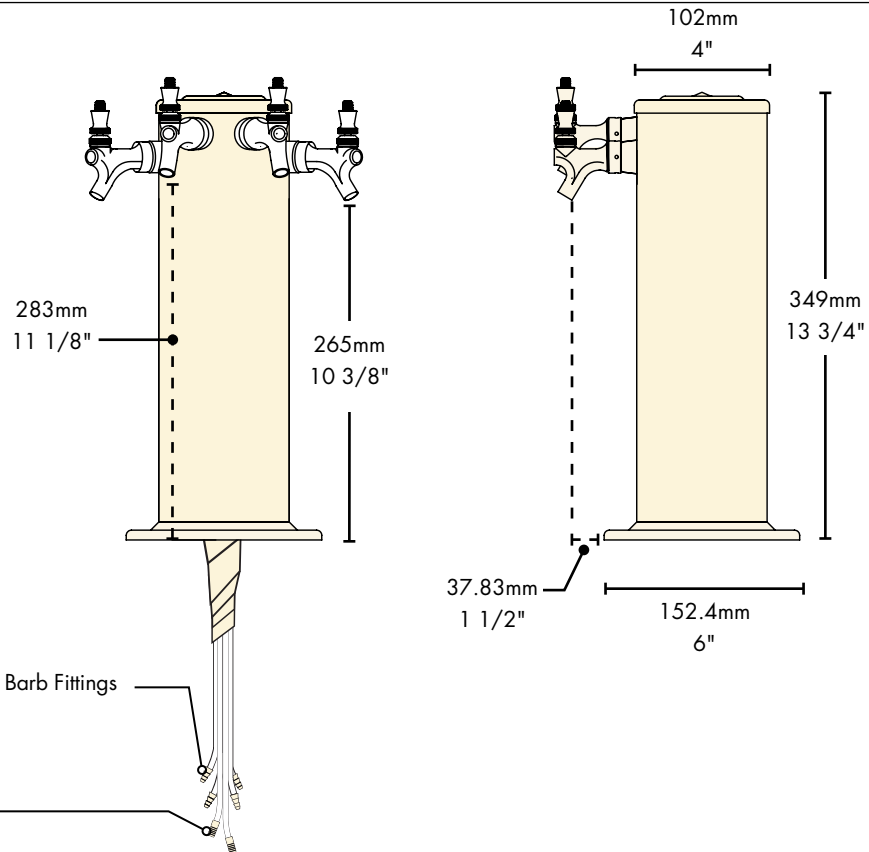
Specifications

Micro Matic reserves the right to change specifications without notice.

Part No.	Faucets	Finish	Dispense System	Shipping Weight	Box Dimensions
<input type="checkbox"/> DS-144-PSSKR*	4	Polished S/S	Kool-Rite (Glycol)	7 kg 16 lbs	1168mm L x 229mm W x 635mm H 46"L x 9"W x 25"H
<input type="checkbox"/> DS-244-PVDKR*	4	PVD Brass	Kool-Rite (Glycol)	7 kg 16 lbs	1168mm L x 229mm W x 635mm H 46"L x 9"W x 25"H

 NSF Certified

Dimensions



BEER:

6.4mm (1/4") O.D. Stainless Steel
with 7.94mm - 9.52mm (5/16" - 3/8") Barb Fittings

GLYCOL:

9.52mm (3/8") O.D. Copper
with 9.52mm (3/8") Barb Fittings

Copyright ©2007 Micro Matic USA, Inc. All Rights Reserved. 000220D0507 11-07



www.micromatic.com

Toll Free: 1-(866) 327-4159

West	Central	Southeast	Northeast
19791 Bahama Street Northridge, CA 91324 Tel. (818) 701-9765 Fax. (818) 701-9844	10726 North Second Street Machesney Park, IL 61115 Tel. (815) 968-7557 Fax. (815) 968-0363	16121 Flight Path Drive Brooksville, FL 34604 Tel. (352) 799-6331 Fax. (352) 796-2429	4601 Saucon Creek Road Center Valley, PA 18034 Tel. (610) 625-4464 Fax. (610) 625-4466