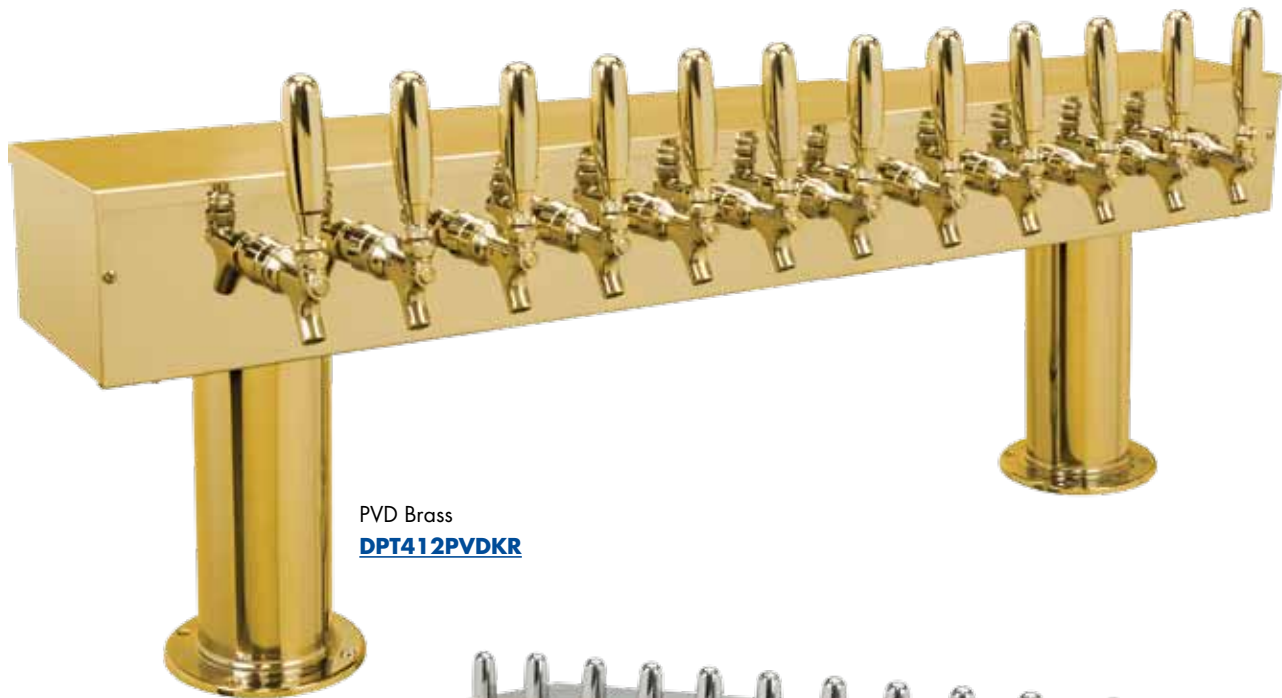


- Display draft beer variety with contemporary style.
- The draft tower is a marketing tool, not just a bar fixture.
- Exterior finish will provide years of durable service.
- All stainless steel contact with the beer for the ultimate in draft purity.



PVD Brass
DPT412PVDKR





Stainless Steel
DPT412PSSKR


Faucet knobs not included.

Features

 Tarnish Free
PVD Brass.

 Certified
by the National
Sanitation Foundation.

 Stainless Steel
beer contact for the pure
taste of fresh draft beer.

 The integrated Kool-Rite module provides
optimum cooling at the point of dispense.
Modular construction makes the installation
process as simple as PLUG "N" POUR.

Specifications

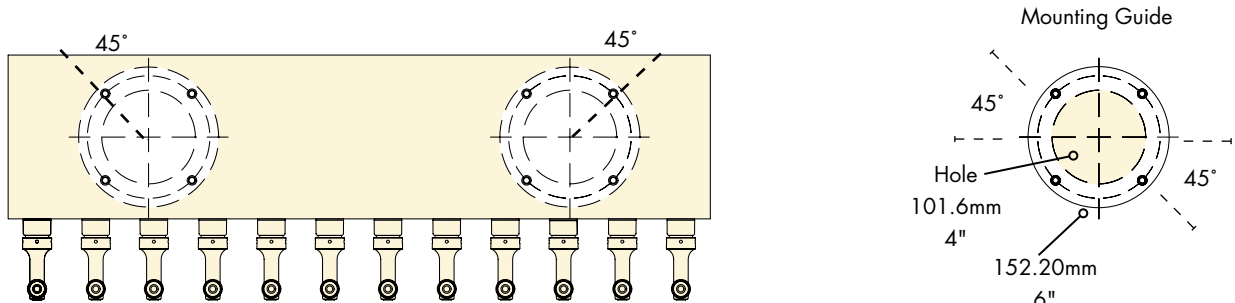
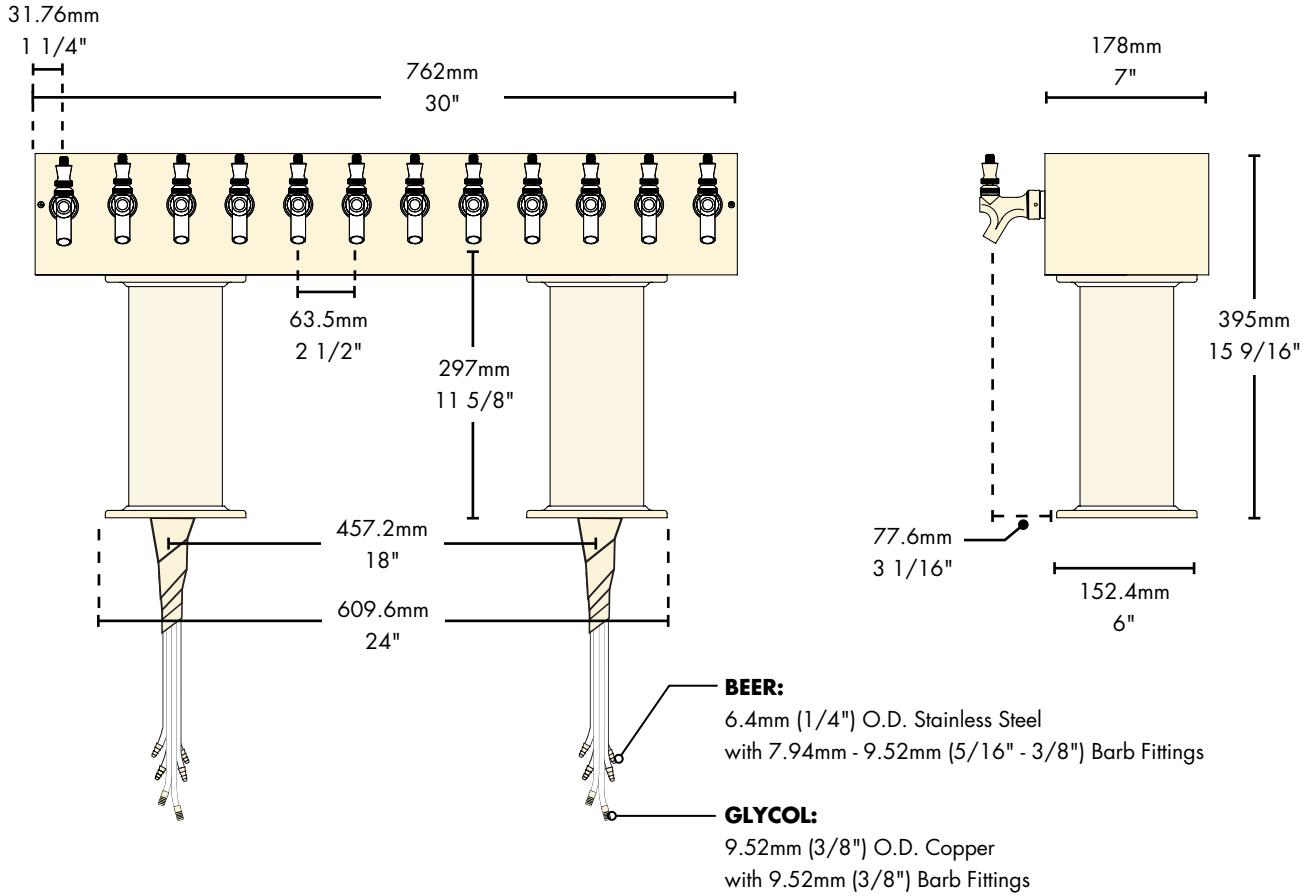
Micro Matic reserves the right to change specifications without notice.

AUTOQUOTES

Part No.	Faucets	Finish	Dispense System	Shipping Weight	Box Dimensions
<input type="checkbox"/> DPT412PSSKR*	12	Polished S/S	Kool-Rite (Glycol)	26 kg 58 lbs	1168mm L x 940mm W x 406mm H 46"L x 37"W x 16"H
<input type="checkbox"/> DPT412PVDKR*	12	PVD Brass	Kool-Rite (Glycol)	26 kg 58 lbs	1168mm L x 940mm W x 406mm H 46"L x 37"W x 16"H

NSF Certified

Dimensions



Copyright ©2012 Micro Matic USA, Inc. All Rights Reserved.

00214D0412



www.micromatic.com

Toll Free: 1-(866) 327-4159

West

19791 Bahama Street
Northridge, CA 91324
Tel. (818) 701-9765
Fax. (818) 701-9844

Central

10726 North Second Street
Machesney Park, IL 61115
Tel. (815) 968-7557
Fax. (815) 968-0363

Southeast

2364 Simon Court
Brooksville, FL 34604
Tel. (352) 799-6331
Fax. (352) 796-2429

Northeast

4601 Saucon Creek Road
Center Valley, PA 18034
Tel. (610) 625-4464
Fax. (610) 625-4466