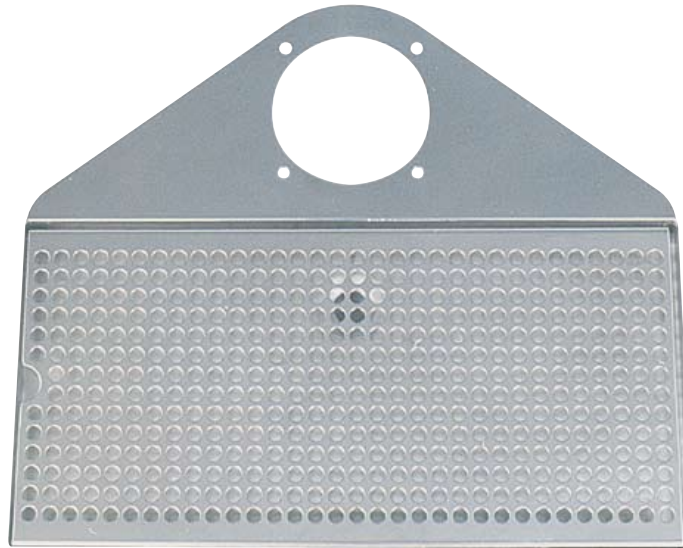


- Mounts on drink rail, bar must be cut-out to accommodate tray.
- Robust 18 gauge stainless steel construction.
- Welded corners, finished smooth for safety and appearance.
- Perforated screen for maximum drip coverage.



Stainless Steel
DP-740DP



PVD Brass
DP-740DSSPVD

Features



Tarnish Free
PVD Brass.



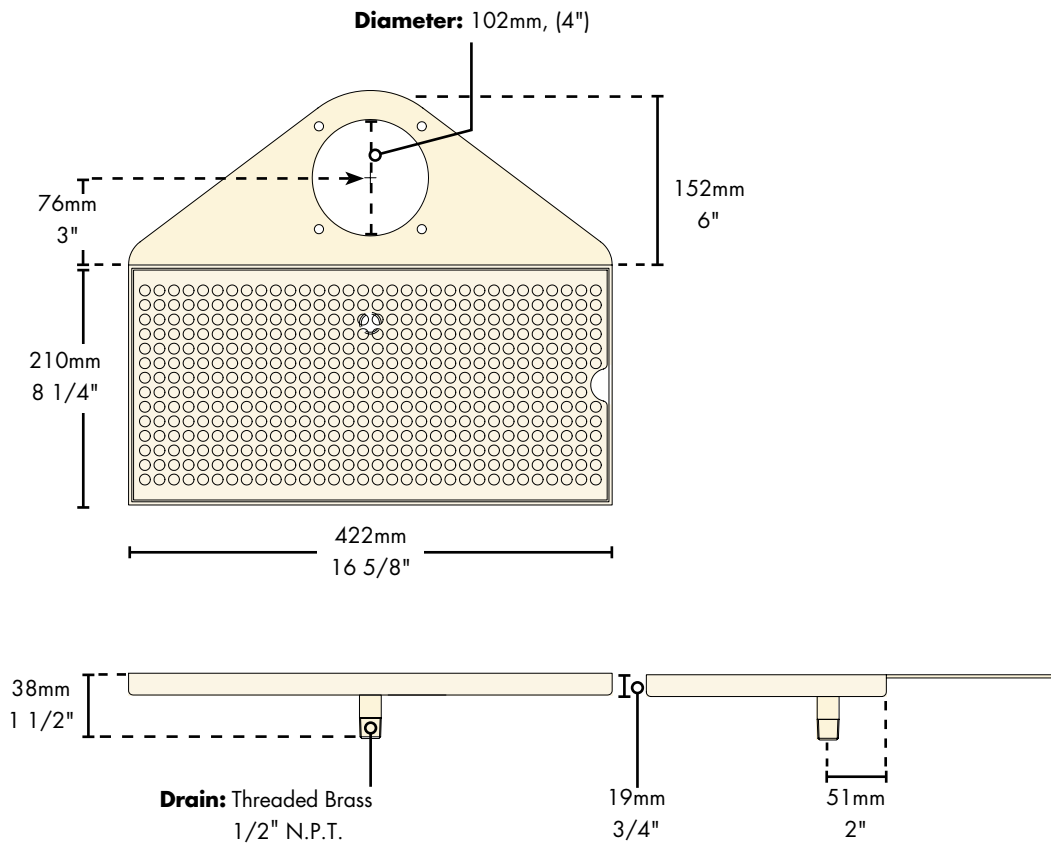
Stainless Steel for
hygiene and durability.

Specifications

Micro Matic reserves the right to change specifications without notice.

Part No.	Description	Shipping Weight	Box Dimensions
<input type="checkbox"/> DP-740DP	Stainless Steel	2 kg	483mm L x 407mm W x 51 mm H
		5 lbs	19"L x 16"W x 2"H
<input type="checkbox"/> DP-740DSSPVD	PVD Brass	2 kg	483mm L x 407mm W x 51 mm H
		5 lbs	19" L x 16"W x 2"H

Dimensions



Copyright ©2007 Micro Matic USA, Inc. All Rights Reserved.

00330D1007 11-07



www.micromatic.com

Toll Free: 1-(866) 327-4159

West	Central	Southeast	Northeast
19791 Bahama Street Northridge, CA 91324 Tel. (818) 701-9765 Fax. (818) 701-9844	10726 North Second Street Machesney Park, IL 61115 Tel. (815) 968-7557 Fax. (815) 968-0363	16121 Flight Path Drive Brooksville, FL 34604 Tel. (352) 799-6331 Fax. (352) 796-2429	4601 Saucon Creek Road Center Valley, PA 18034 Tel. (610) 625-4464 Fax. (610) 625-4466