



- Add European style while creating dispense excitement.
- Condition the glass before pouring – invert glass, push down on sprayer for cold water rinsing.
- Draft tower mounts directly to platform tray eliminating coring of counter top.
- Robust 18 gauge stainless steel module with full plywood under support.



DP-1604

Feature

- S** Stainless Steel for improved hygiene and durability.

Specifications

Micro Matic reserves the right to change specifications without notice.

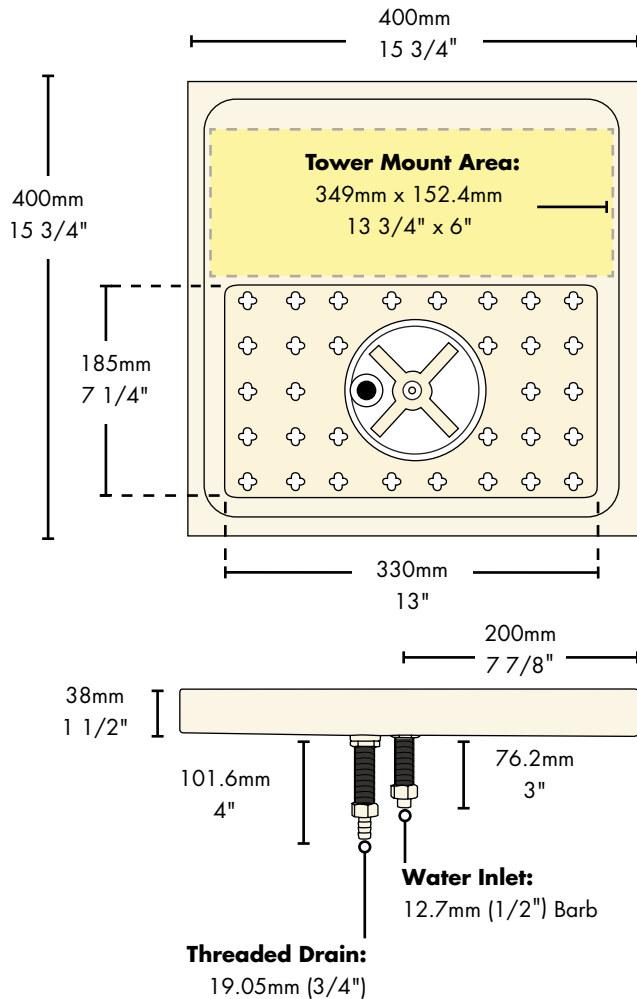


Part No.	Description	Shipping Weight	Box Dimensions
<input type="checkbox"/> DP-1604	Polished Stainless Steel	4 kg	406mm L x 406mm W x 57mm H
		11 lbs	16"L x 16"W x 2 1/4"H

Rinser Water Inlet Installation

- Always check local plumbing codes first.
- Install in-line water regulator set at 30 PSI from the street water supply.
- If tee'd into soda system ensure system can handle increased water demand.
- Install in-line one way check valve from the street water supply.
- Install in-line shut-off for the rinser system from the street water supply.

Dimensions



Copyright ©2009 Micro Matic USA, Inc. All Rights Reserved. 00096D0709



www.micromatic.com

Toll Free: 1-(866) 327-4159

West	Central	Southeast	Northeast
19791 Bahama Street Northridge, CA 91324 Tel. (818) 701-9765 Fax. (818) 701-9844	10726 North Second Street Machesney Park, IL 61115 Tel. (815) 968-7557 Fax. (815) 968-0363	2364 Turbine Court Brooksville, FL 34604 Tel. (352) 799-6331 Fax. (352) 796-2429	4601 Saucon Creek Road Center Valley, PA 18034 Tel. (610) 625-4464 Fax. (610) 625-4466